

DECI  
PUMP



佛山市德磁泵业设备有限公司  
FOSHAN DECI PUMP INDUSTRY EQUIPMENT CO., LTD

地址: 广东省佛山市狮山镇显子岗工业二区横六路1号  
电话: 0757-8523 8209  
传真: 0757-85238209-608  
手机: 138 2340 1066  
邮箱: dezipump@outlook.com  
网址: <http://dezipump.1688.com>

ADD: No.1, Hengliu Road, Xianzigang Industrial 2th Zone,  
Shishan Town, Foshan City, Guangdong Province  
TEL: +86-757-8523 8209  
FAX: +86-757-8523 8209-608  
PHONE: +86-138 2340 1066  
E-mail: dezipump@outlook.com  
URL: <http://dezipump.1688.com>



德磁泵业  
DECI PUMP



高低温泵浦专业制造商  
Professional manufacturer of high and low temperature pumps

-196°C ~ +420°C



**德磁泵业**  
**DECI PUMP**

**德行天下 磁动智造**

Virtue in the world, lean and intelligent manufacturing



佛山市德磁泵业设备有限公司是一家专注高低温流体泵浦，集研发、生产、销售、服务为一体的专业生产企业。公司成立多年，位于广东经济第一强镇--狮山镇。

公司主要产品有高扬程磁力泵、磁力离心泵、磁力旋涡泵、立式磁力管道泵、不锈钢离心泵、铸铁离心泵、铸铁旋涡泵、不锈钢旋涡泵、大流量铸铁离心泵等，耐温范围达到-196℃至+420℃。广泛应用到化工设备、高温模具控温、半导体精密控温、高低温试验仪器、锅炉补水、食品设备、反应釜夹套控温、医药灭菌、实验室、新能源汽车和通用机械等行业领域。

公司自成立以来一直以“突破、创新、品质、服务”作为经营理念，从客户需求出发，不断创新。衷心期待与新老客户携手共创，赢在未来。

Foshan Deci Pump Industry Equipment Co., Ltd. is a professional manufacturer specializing in high and low temperature fluid pumps, integrating R&D, production, sales and service. The company has been established for many years and is located in Shishan Town, the first economic town in Guangdong.

The company's main products are high lift magnetic pump, magnetic centrifugal pump, magnetic vortex pump, vertical magnetic pipeline pump, stainless steel centrifugal pump, cast iron centrifugal pump, cast iron vortex pump, stainless steel vortex pump, large flow cast iron centrifugal pump, etc. The temperature range reaches -196°C to +420°C. Widely used in chemical equipment, high temperature mold temperature control, semiconductor precision temperature control, high and low temperature test equipment, boiler water replenishment, food equipment, reactor jacket temperature control, pharmaceutical sterilization, laboratories, new energy vehicles and general machinery and other industries.

Since its establishment, the company has been taking "breakthrough, innovation, quality and service" as its business philosophy, starting from customer needs and innovating continuously. Sincerely look forward to working with new and old customers to create and win in the future.

## 特殊定制产品 Special Customized Products

电压  
Voltage

频率  
Frequency

防爆  
Explosion-proof

变频  
Frequency  
conversion

参数  
Parameters and

材质  
Materials

其他个性定制  
Other personalized  
customization



# 产品索引 INDEX

# DECI PUMP

-  高压力  
High pressure
-  耐腐蚀  
Preservative
-  耐高温  
High temperature resistance
-  耐低温  
Low temperature resistance
-  体积小  
Small volume
-  低噪音  
Low noise
-  振动小  
Little vibration
-  无泄漏  
No leakage
-  大流量  
Large flowing
-  不锈钢  
Stainless steel
-  黄铜  
Brass material
-  铸铁  
Cast iron



<p>P07</p>  <p><b>MFW Series</b> 磁力离心泵 Magnetic Centrifugal Pump</p>	<p>P09</p>  <p><b>MFL Series</b> 高低温立式磁力泵 High and Low Temperature Vertical Magnetic Pump</p>	<p>P11</p>  <p><b>MFC Series</b> 磁力旋涡泵 Magnetic Vortex Pump</p>
<p>P13</p>  <p><b>MFC-T Series</b> 磁力旋涡泵 Magnetic Vortex Pump</p>	<p>P15</p>  <p><b>MFH Series</b> 高扬程磁力旋涡泵 High Lift Magnetic Vortex Pump</p>	<p>P17</p>  <p><b>MFC-J Series</b> 简易式磁力旋涡泵 Simple Magnetic Vortex Pump</p>
<p>P19</p>  <p><b>SW Series</b> 大流量铸铁离心泵 Large Flow Cast Iron Centrifugal Pump</p>	<p>P21</p>  <p><b>SFW Series</b> 铸铁&amp;不锈钢离心泵 Cast Iron &amp; Stainless Steel Centrifugal Pump</p>	<p>P23</p>  <p><b>SP Series</b> 卧式清水离心泵 Horizontal Clean Water Centrifugal Pump</p>
<p>P25</p>  <p><b>CH Series</b> 自吸气液混合泵 Self-aspirating Liquid Mixing Pump</p>	<p>P27</p>  <p><b>CW Series</b> 不锈钢旋涡泵 Stainless Steel Vortex Pump</p>	<p>P29</p>  <p><b>SF Series</b> 铸铁旋涡泵 Cast Iron Vortex Pump</p>
<p>P31</p>  <p><b>SV Series</b> 黄铜旋涡泵 Brass Vortex Pump</p>	<p>P33</p>  <p><b>HC Series</b> 高压叶片泵 High Pressure Vane Pump</p>	<p>P35</p>  <p><b>HRY Series</b> 联轴式高温热油泵 Coupling Type High Temperature Hot Oil Pump</p>

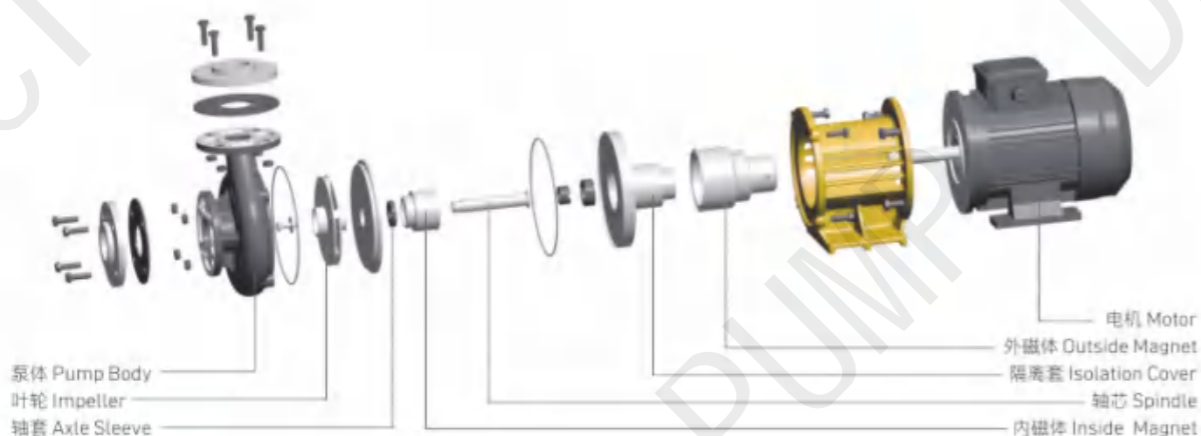
# MFW Series

## 磁力离心泵

### Magnetic Centrifugal Pump



- 性能稳定  
Stable performance
- 耐腐蚀  
Preservative
- 耐高温  
High temperature resistance
- 耐低温  
Low temperature resistance
- 无泄漏  
No leakage
- 不锈钢  
Stainless steel
- 低噪音  
Low noise
- 振动小  
Little vibration



#### 特点介绍 / Features

- ◆ 应用领域: 高温模具控温、高低温试验仪器、化工设备、模板控温、高端清洗设备、高端印染设备、TCU控温系统、高温冷凝水回收等。
- ◆ 循环介质: 不含颗粒、纤维的水、乙二醇、酒精、导热油、氟氢溶液、硅油、冰河冷媒、汽油、染料、化学溶液等液体。
- ◆ Application Area: High temperature mold temperature control, high and low temperature test equipment, chemical equipment, template temperature control, high-end cleaning equipment, high-end printing and dyeing equipment, TCU temperature control system, high temperature condensate water recovery, etc.
- ◆ Circulation Medium: Water, ethylene glycol, alcohol, heat transfer oil, hydrocarbon solution, silicone oil, glacial refrigerant, gasoline, dye, chemical solution and other liquids without particles and fibers.

#### 使用条件 / Working Condition

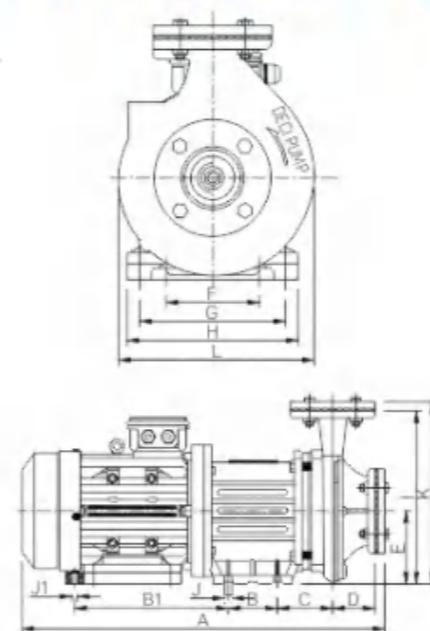
介质温度 Medium Temperature	介质比重 Medium Density	工作环境温度 Working Temperature	最高海拔 Max Elevation	最大工作压力 Max Working Pressure
-196°C~+420°C	0.6~2	-5°C~+70°C	5000m	20bar

#### 规格性能参数 / Technical Parameter

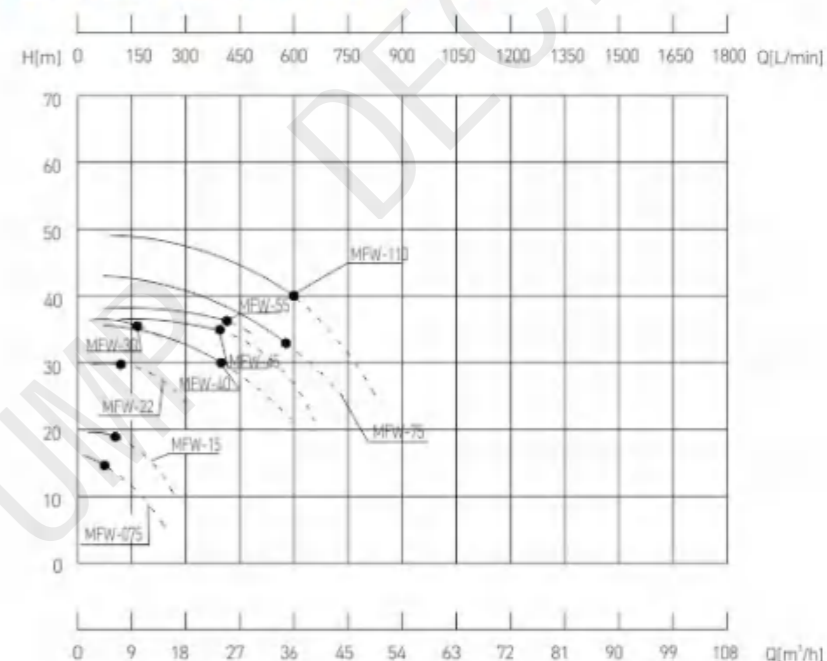
型号 Model	口径 / Diameter		电机 / Motor				性能参数 / Performance Parameter		泵浦自重 Pump Weight (Kg)	
	进口 Inlet	出口 Outlet	功率 Power (KW)	匹数 (Hp)	电压 Voltage (V)	频率 Frequency (Hz)	转速 Speed (r/min)	额定扬程 Rated Head (m)		额定流量 Rated Capacity (m³/h)
MFW-075	DN32	DN25	0.75	1	3Φ-380	50	2760	15	4.2	28
MFW-15	DN32	DN25	1.5	2	3Φ-380	50	2760	18	6	30
MFW-22	DN50	DN32	2.2	3	3Φ-380	50	2760	30	6.8	42
MFW-30	DN50	DN32	3	4	3Φ-380	50	2900	35	9.5	45
MFW-40	DN50	DN40	4	5	3Φ-380	50	2900	30	25	60
MFW-45	DN50	DN40	4.5	6	3Φ-380	50	2900	35	25	67
MFW-55	DN50	DN40	5.5	7.5	3Φ-380	50	2900	35	26	88
MFW-75	DN50	DN40	7.5	10	3Φ-380	50	2900	35	32	116
MFW-110	DN50	DN40	11	15	3Φ-380	50	2900	40	36	145

上述性能参数对应于水在20°C时以正常速度运输, 性能及参数误差±10%。泵的性能随输送液体介质的比重及密度的不同而产生变化。  
The above characteristic testing is based on the water transferring with the normal speed under 20 degrees, character's error is about 10%.  
The pump characters change according to the difference of the liquid mediums' proportion and density.

#### 安装尺寸图 / Installation Drawing



#### 特性曲线图 / Characteristic Curve



#### 安装尺寸表 / Installation Size

单位/Unit: mm

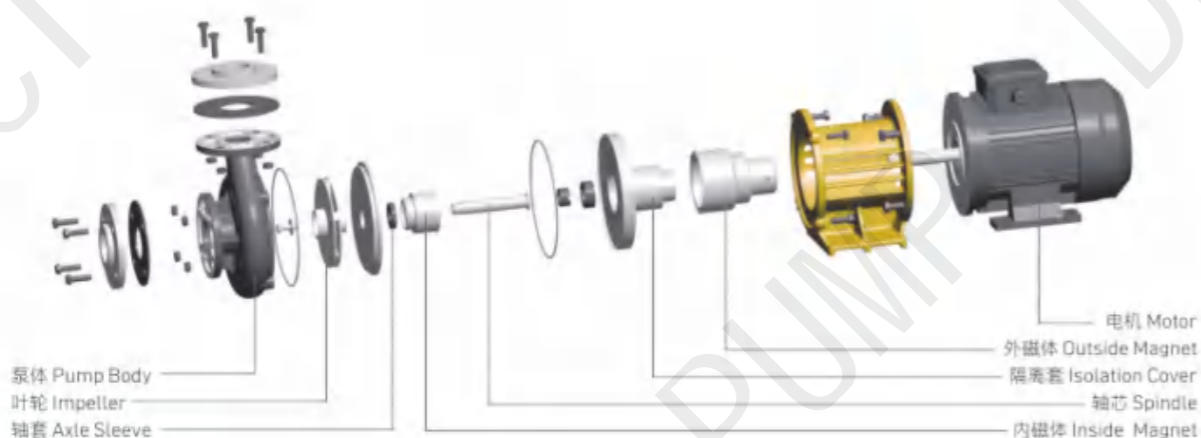
型号 / Model	A	B	C	B1	D	E	F	G	H	I	K	J	J1	L
MFW-075	503	70	72	-	50	100	100	-	-	224	239	4-Φ12	-	180
MFW-15	503	70	72	-	50	100	100	-	-	224	239	4-Φ12	-	180
MFW-22	562	70	72	256	55	110	100	140	180	245	261	4-Φ12	2-Φ10	195
MFW-30	592	70	72	256	55	110	100	140	180	245	261	4-Φ12	2-Φ10	195
MFW-40	660	90	100	280	90	132	120	190	220	315	332	4-Φ12	2-Φ10	255
MFW-45	660	90	100	280	90	132	120	190	220	315	332	4-Φ12	2-Φ10	255
MFW-55	716	90	100	263	90	132	120	215	220	315	332	4-Φ12	2-Φ10	255
MFW-75	727	90	100	-	100	135	120	-	235	300	318	4-Φ12	2-Φ14	275
MFW-110	727	90	100	-	100	135	120	-	235	300	318	4-Φ12	2-Φ14	275

# MFL Series

## 高低温立式磁力泵 High and Low Temperature Vertical Magnetic Pump



- 性能稳定  
Stable performance
- 耐腐蚀  
Preservative
- 耐高温  
High temperature resistance
- 耐低温  
Low temperature resistance
- 无泄漏  
No leakage
- 不锈钢  
Stainless steel
- 低噪音  
Low noise
- 振动小  
Little vibration



### 特点介绍 / Features

- ◆ 应用领域: 高温模具控温、高低温试验仪器、化工设备、模板控温、高端清洗设备、高端印染设备、TCU控温系统、高温冷凝水回收等。
- ◆ 循环介质: 不含颗粒、纤维的水、乙二醇、酒精、导热油、碳氢溶液、硅油、冰河冷媒、汽油、染料、化学溶液等液体。
- ◆ Application Area: High temperature mold temperature control, high and low temperature test equipment, chemical equipment, template temperature control, high-end cleaning equipment, high-end printing and dyeing equipment, TCU temperature control system, high temperature condensate water recovery, etc.
- ◆ Circulation Medium: Water, ethylene glycol, alcohol, heat transfer oil, hydrocarbon solution, silicone oil, glacial refrigerant, gasoline, dye, chemical solution and other liquids without particles and fibers.

### 使用条件 / Working Condition

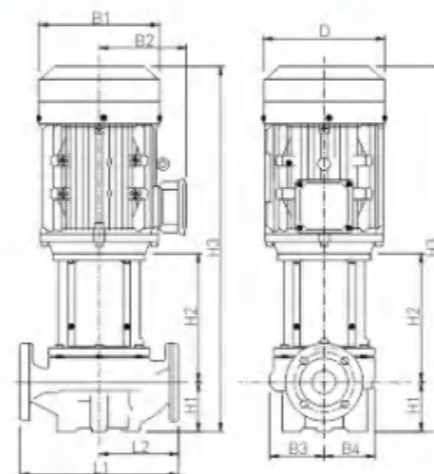
介质温度 Medium Temperature	介质比重 Medium Density	工作环境温度 Working Temperature	最高海拔 Max Elevation	最大工作压力 Max Working Pressure
-196°C~+420°C	0.6~2	-5°C~+70°C	5000m	20bar

### 规格性能参数 / Technical Parameter

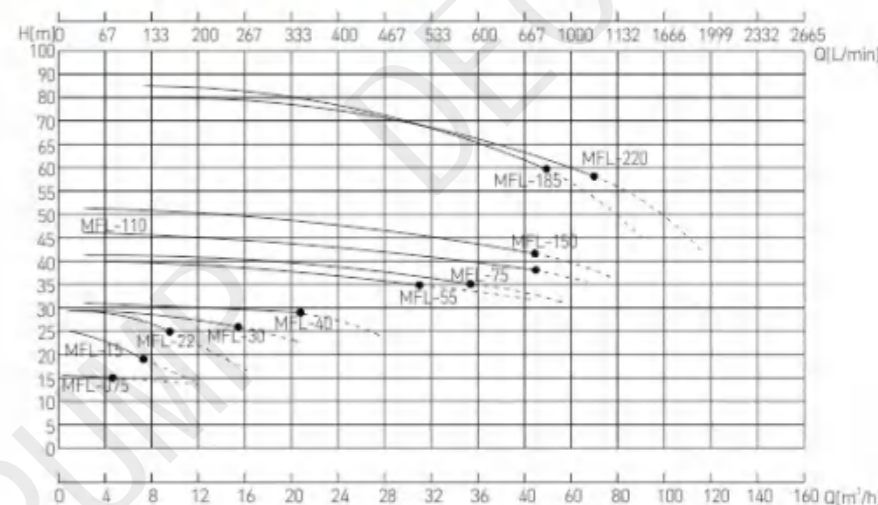
型号 Model	口径 / Diameter		电机 / Motor				性能参数 / Performance Parameter		泵浦自重 Pump Weight (Kg)	
	进口 Inlet	出口 Outlet	功率 Power (KW)	匹数 (Hp)	电压 Voltage (V)	频率 Frequency (Hz)	转速 Speed (r/min)	额定扬程 Rated Head (m)		额定流量 Rated Capacity (m <sup>3</sup> /h)
MFL-075	DN32	DN32	0.75	1	3Φ-380	50	2900	14	4.5	40
MFL-15	DN32	DN32	1.5	2	3Φ-380	50	2900	18	6	43
MFL-22	DN40	DN40	2.2	3	3Φ-380	50	2900	25	9.5	48
MFL-30	DN50	DN50	3	4	3Φ-380	50	2900	26	15	60
MFL-40	DN40	DN40	4	5	3Φ-380	50	2900	28	22	71
MFL-55	DN50	DN50	5.5	7.5	3Φ-380	50	2900	35	30	90
MFL-75	DN40	DN40	7.5	10	3Φ-380	50	2900	35	35	104
MFL-110	DN65	DN65	11	15	3Φ-380	50	2900	38	42	160
MFL-150	DN80	DN80	15	20	3Φ-380	50	2900	42	42	175
MFL-185	DN80	DN80	18.5	25	3Φ-380	50	2900	60	50	221
MFL-220	DN80	DN80	22	30	3Φ-380	50	2900	58	70	238

上述性能参数对应于水在20°C时以正常速度运输, 性能及参数误差±10%。泵的性能随输送液体介质的比重及密度的不同而产生变化。  
The above characteristic testing is based on the water transferring with the normal speed under 20 degrees, character's error is about 10%.  
The pump characters change according to the difference of the liquid mediums' proportion and density.

### 安装尺寸图 / Installation Drawing



### 特性曲线图 / Characteristic Curve



### 安装尺寸表 / Installation Size

单位/Unit: mm

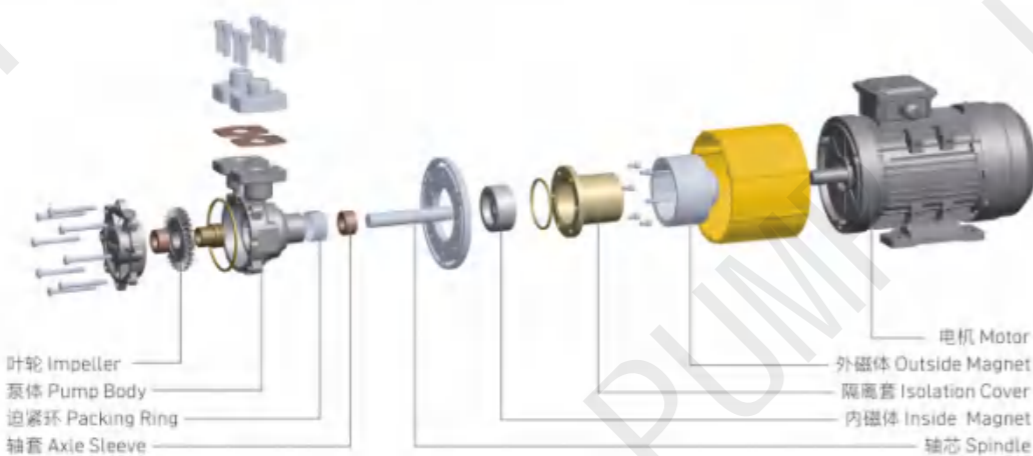
型号 / Model	L1	L2	H1	H2	H3	B1	B2	D	B3	B4
MFL-075	260	130	72	180	500	150	115	150	100	100
MFL-15	260	130	72	180	534	171	137	173	100	100
MFL-22	320	160	90	200	561	171	137	140	105	95
MFL-30	320	160	105	230	645	196	150	160	115	100
MFL-40	320	160	105	230	655	215	170	160	118	110
MFL-55	320	160	105	230	741	257	187	253	133	110
MFL-75	430	215	125	300	730	257	260	253	171	128
MFL-110	430	215	125	300	905	315	388	350	171	163
MFL-150	430	215	125	300	905	315	388	350	173	165
MFL-185	480	240	135	300	905	315	388	350	173	165
MFL-220	480	240	135	300	905	315	388	350	173	165

# MFC Series

## 磁力旋涡泵 Magnetic Vortex Pump



- 性能稳定  
Stable performance
- 耐腐蚀  
Preservative
- 耐高温  
High temperature resistance
- 耐低温  
Low temperature resistance
- 体积小  
Small volume
- 不锈钢  
Stainless steel
- 无泄露  
No leakage
- 振动小  
Little vibration



- 叶轮 Impeller
- 泵体 Pump Body
- 密封圈 Packing Ring
- 轴套 Axie Sleeve
- 电机 Motor
- 外磁体 Outside Magnet
- 隔离套 Isolation Cover
- 内磁体 Inside Magnet
- 轴芯 Spindle

### 特点介绍 / Features

- ◆ 应用领域: 高温模具控温、高低温试验仪器、半导体精密控温、化工设备、模板控温、超声波清洗设备、高端印染设备、TCU控温系统等。
- ◆ 循环介质: 不含颗粒、纤维的水、乙二醇、酒精、导热油、碳氢溶液、硅油、冰河冷媒、汽油、染料、化学溶液等液体。
- ◆ Application Area: High temperature mold temperature control, high and low temperature test equipment, semiconductor precision temperature control, chemical equipment, template temperature control, ultrasonic cleaning equipment, high-end printing and dyeing equipment, TCU temperature control system, etc.
- ◆ Circulation Medium: Water, ethylene glycol, alcohol, heat transfer oil, hydrocarbon solution, silicone oil, glacial refrigerant, gasoline, dye, chemical solution and other liquids without particles and fibers.

### 使用条件 / Working Condition

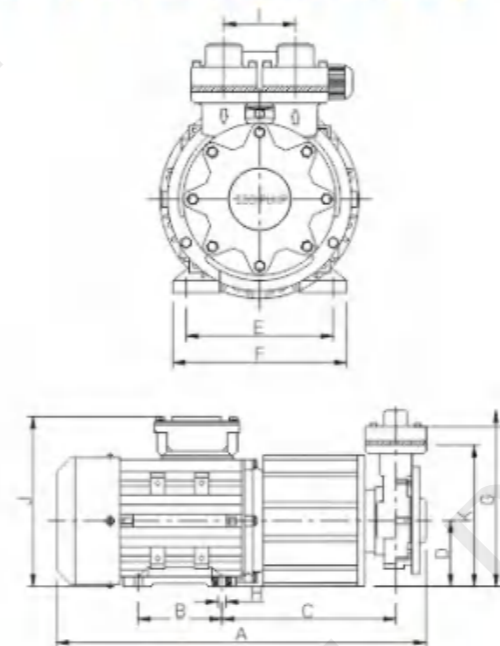
介质温度 Medium Temperature	介质比重 Medium Density	工作环境温度 Working Temperature	最高海拔 Max Elevation	最大工作压力 Max Working Pressure
-196°C~+420°C	0.6~2	-5°C~+70°C	5000m	40bar

### 规格性能参数 / Technical Parameter

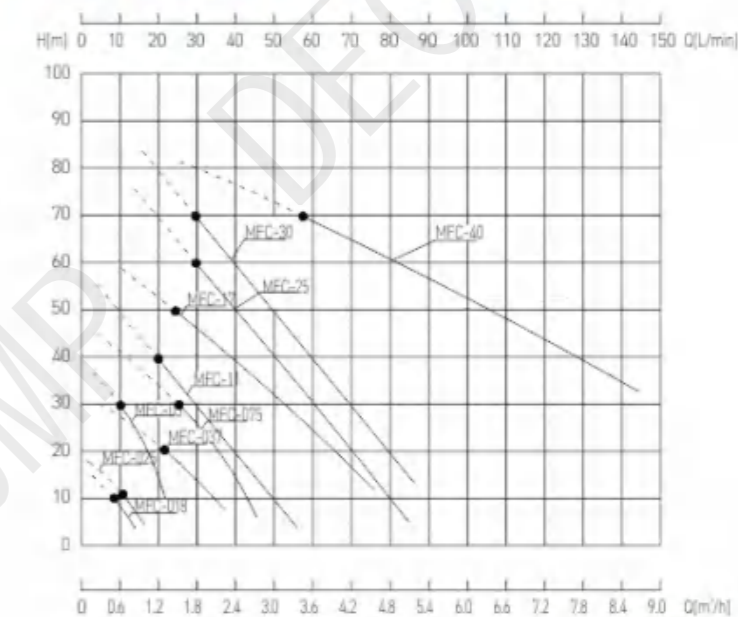
型号 Model	口径 / Diameter		电机 / Motor				性能参数 / Performance Parameter		泵浦自重 Pump Weight (Kg)	
	进口 Inlet	出口 Outlet	功率 Power (KW)	匹数 (Hp)	电压 Voltage (V)	频率 Frequency (Hz)	转速 Speed (r/min)	最高/额定扬程 Max/Rated Head (m)		最大流量 Max Capacity (L/min)
MFC-018	DN15	DN15	0.18	0.24	3Φ-380	50	2760	15/10	15	7.5
MFC-025	DN15	DN15	0.25	0.33	3Φ-380	50	2760	20/12	15	9
MFC-037	DN15	DN15	0.37	0.5	3Φ-380	50	2760	30/20	30	9.5
MFC-05	DN15	DN15	0.5	0.7	3Φ-380	50	2760	40/30	38	10
MFC-075	DN20	DN20	0.75	1	3Φ-380	50	2760	45/30	45	10
MFC-11	DN20	DN20	1.1	1.5	3Φ-380	50	2760	60/40	60	17
MFC-17	DN25	DN25	1.7	2.3	3Φ-380	50	2760	65/50	90	22
MFC-25	DN25	DN25	2.5	3.3	3Φ-380	50	2760	90/60	95	26
MFC-30	DN25	DN25	3	4	3Φ-380	50	2900	100/70	110	35
MFC-40	DN32	DN32	4	5	3Φ-380	50	2900	90/70	200	55

上述性能参数对应于水在20°C时以正常速度运输,性能及参数误差±10%。泵的性能随输送液体介质的比重及密度的不同而产生变化。  
The above characteristic testing is based on the water transferring with the normal speed under 20 degrees, character's error is about 10%.  
The pump characters change according to the difference of the liquid mediums' proportion and density.

### 安装尺寸图 / Installation Drawing



### 特性曲线图 / Characteristic Curve



### 安装尺寸表 / Installation Size

单位/Unit: mm

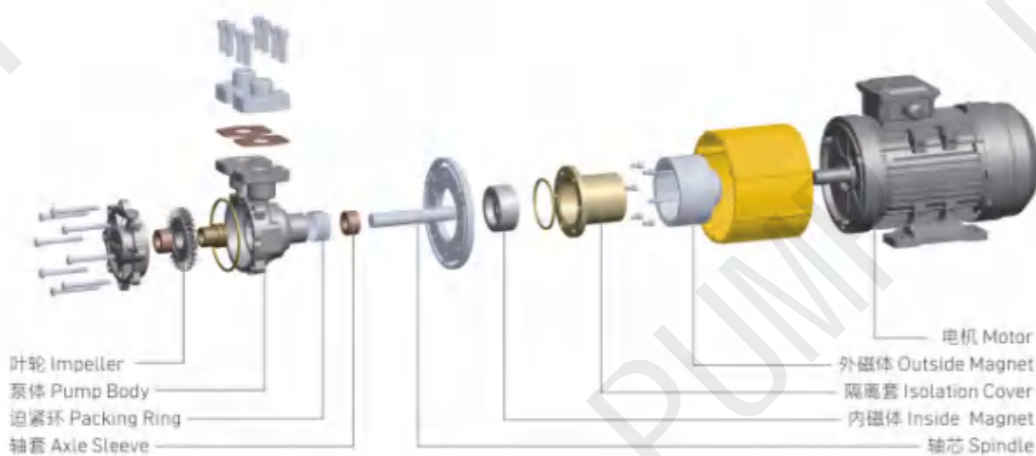
型号 / Model	A	B	C	D	E	F	G	H	I	J	K
MFC-018	280	71	115	56	90	112	153	4-Φ8	35	137	117
MFC-025	320	80	120	63	100	125	160	4-Φ8	35	169	124
MFC-037	320	80	120	63	100	125	160	4-Φ8	35	169	124
MFC-05	323	80	135	63	100	125	160	4-Φ8	35	169	124
MFC-075	379	90	178	71	112	132	190	4-Φ8	55	183	153
MFC-11	390	90	178	71	112	132	190	4-Φ8	55	183	153
MFC-17	410	100	180	80	125	153	195	4-Φ10	55	205	163
MFC-25	485	125	185	90	140	175	205	4-Φ10	55	215	171
MFC-30	556	70	80	100	100	130	240	4-Φ12	60	235	200
MFC-40	647	107	82	103	100	130	247	4-Φ12	60	248	203

# MFC-T Series

## 磁力旋涡泵 Magnetic Vortex Pump



- 性能稳定  
Stable performance
- 耐腐蚀  
Preservative
- 耐高温  
High temperature resistance
- 耐低温  
Low temperature resistance
- 体积小  
Small volume
- 不锈钢  
Stainless steel
- 无泄露  
No leakage
- 振动小  
Little vibration



- 叶轮 Impeller
- 泵体 Pump Body
- 迫紧环 Packing Ring
- 轴套 Axie Sleeve
- 电机 Motor
- 外磁体 Outside Magnet
- 隔离套 Isolation Cover
- 内磁体 Inside Magnet
- 轴芯 Spindle

### 特点介绍 / Features

- ◆ 应用领域: 高温模具控温、高低温试验仪器、半导体精密控温、化工设备、模板控温、超声波清洗设备、高端印染设备、TCU控温系统等。
- ◆ 循环介质: 不含颗粒、纤维的水、乙二醇、酒精、导热油、碳氢溶液、硅油、冰河冷媒、汽油、染料、化学溶液等液体。
- ◆ Application Area: High temperature mold temperature control, high and low temperature test equipment, semiconductor precision temperature control, chemical equipment, template temperature control, ultrasonic cleaning equipment, high-end printing and dyeing equipment, TCU temperature control system, etc.
- ◆ Circulation Medium: Water, ethylene glycol, alcohol, heat transfer oil, hydrocarbon solution, silicone oil, glacial refrigerant, gasoline, dye, chemical solution and other liquids without particles and fibers.

### 使用条件 / Working Condition

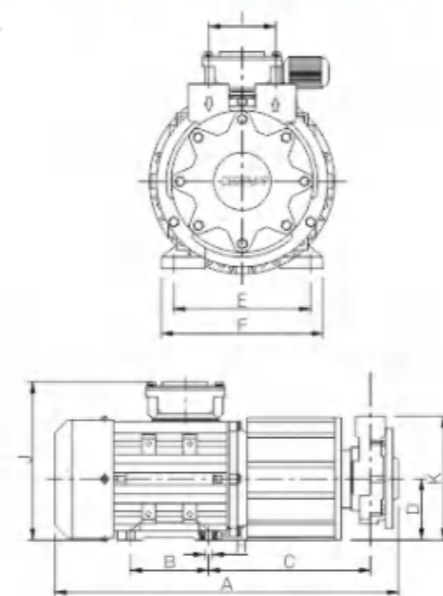
介质温度 Medium Temperature	介质比重 Medium Density	工作环境温度 Working Temperature	最高海拔 Max Elevation	最大工作压力 Max Working Pressure
-196°C~+420°C	0.6~2	-5°C~+70°C	5000m	20bar

### 规格性能参数 / Technical Parameter

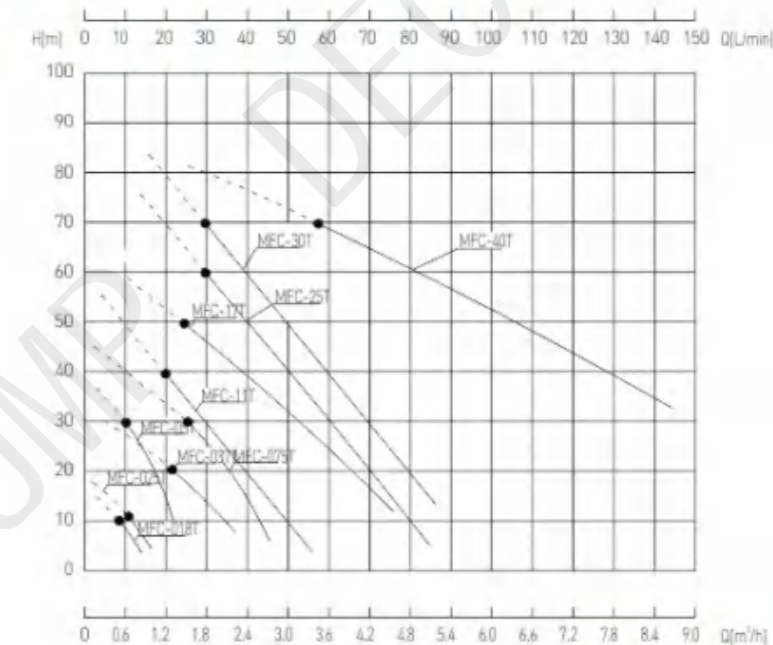
型号 Model	口径 / Diameter		电机 / Motor				性能参数 / Performance Parameter		泵浦自重 Pump Weight (Kg)	
	进口 Inlet	出口 Outlet	功率 Power (KW)	匹数 (Hp)	电压 Voltage (V)	频率 Frequency (Hz)	转速 Speed (r/min)	最高/额定扬程 Max/Rated Head (m)		最大流量 Max Capacity (L/min)
MFC-018T	G1/2	G1/2	0.18	0.24	3Φ-380	50	2760	15/10	15	7
MFC-025T	G1/2	G1/2	0.25	0.33	3Φ-380	50	2760	20/12	15	8.5
MFC-037T	G3/4	G3/4	0.37	0.5	3Φ-380	50	2760	30/20	30	9
MFC-05T	G3/4	G3/4	0.5	0.7	3Φ-380	50	2760	40/30	38	9.5
MFC-075T	G3/4	G3/4	0.75	1	3Φ-380	50	2760	45/30	45	10
MFC-11T	G3/4	G3/4	1.1	1.5	3Φ-380	50	2760	60/40	60	16
MFC-17T	G3/4	G3/4	1.7	2.3	3Φ-380	50	2760	65/50	90	21
MFC-25T	G1	G1	2.5	3.3	3Φ-380	50	2760	90/60	95	25
MFC-30T	G1	G1	3	4	3Φ-380	50	2900	100/70	110	33.5
MFC-40T	G1 1/2	G1 1/2	4	5	3Φ-380	50	2900	90/70	200	53.5

上述性能参数对应于水在20°C时以正常速度运输,性能及参数误差±10%。泵的性能随输送液体介质的比重及密度的不同而产生变化。  
The above characteristic testing is based on the water transferring with the normal speed under 20 degrees, character's error is about 10%.  
The pump characters change according to the difference of the liquid mediums' proportion and density.

### 安装尺寸图 / Installation Drawing



### 特性曲线图 / Characteristic Curve



### 安装尺寸表 / Installation Size

型号 / Model	A	B	C	D	E	F	G	H	I	J
MFC-018T	280	71	115	56	90	112	117	4-Φ8	35	137
MFC-025T	320	80	120	63	100	125	124	4-Φ8	35	169
MFC-037T	320	80	120	63	100	125	124	4-Φ8	35	169
MFC-05T	323	80	135	63	100	125	124	4-Φ8	35	169
MFC-075T	379	90	178	71	112	132	153	4-Φ8	55	183
MFC-11T	390	90	178	71	112	132	153	4-Φ8	55	183
MFC-17T	410	100	180	80	125	153	163	4-Φ10	55	205
MFC-25T	485	125	185	90	140	175	171	4-Φ10	55	215
MFC-30T	556	70	80	100	100	130	200	4-Φ12	60	235
MFC-40T	647	107	82	103	100	130	203	4-Φ12	60	248

单位/Unit: mm



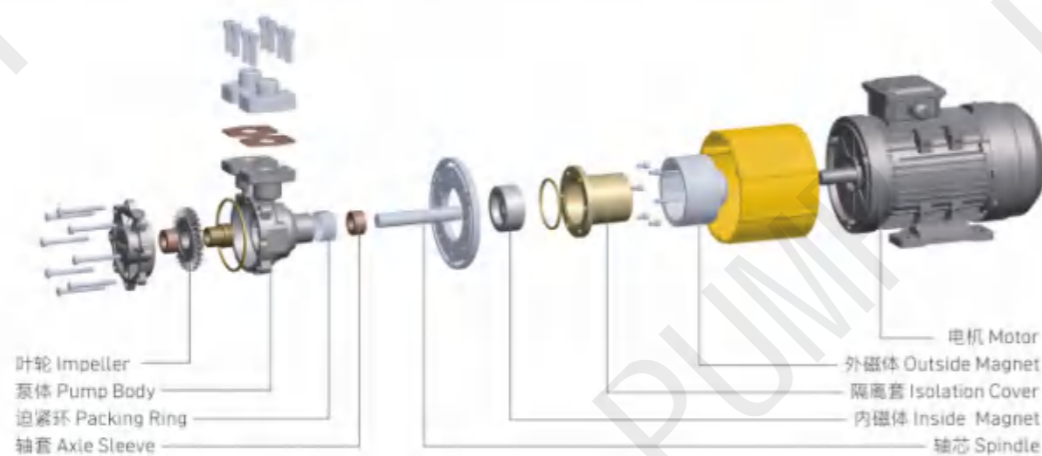
# MFH Series

## 高扬程磁力旋涡泵

### High Lift Magnetic Vortex Pump



- 性能稳定  
Stable performance
- 耐腐蚀  
Preservative
- 耐高温  
High temperature resistance
- 耐低温  
Low temperature resistance
- 无泄漏  
No leakage
- 不锈钢  
Stainless steel
- 低噪音  
Low noise
- 振动小  
Little vibration



- 叶轮 Impeller
- 泵体 Pump Body
- 密封圈 Packing Ring
- 轴套 Axie Sleeve
- 电机 Motor
- 外磁体 Outside Magnet
- 隔离套 Isolation Cover
- 内磁体 Inside Magnet
- 轴芯 Spindle

#### 特点介绍 / Features

- ◆ 应用领域: 高温模具控温、高低温试验仪器、半导体精密控温、化工设备、模板控温、超声波清洗设备、高端印染设备、TCU控温系统等。
- ◆ 循环介质: 不含颗粒、纤维的水、乙二醇、酒精、导热油、碳氢溶液、硅油、冰河冷媒、汽油、染料、化学溶液等液体。
- ◆ Application Area: High temperature mold temperature control, high and low temperature test equipment, semiconductor precision temperature control, chemical equipment, template temperature control, ultrasonic cleaning equipment, high-end printing and dyeing equipment, TCU temperature control system, etc.
- ◆ Circulation Medium: Water, ethylene glycol, alcohol, heat transfer oil, hydrocarbon solution, silicone oil, glacial refrigerant, gasoline, dye, chemical solution and other liquids without particles and fibers.

#### 使用条件 / Working Condition

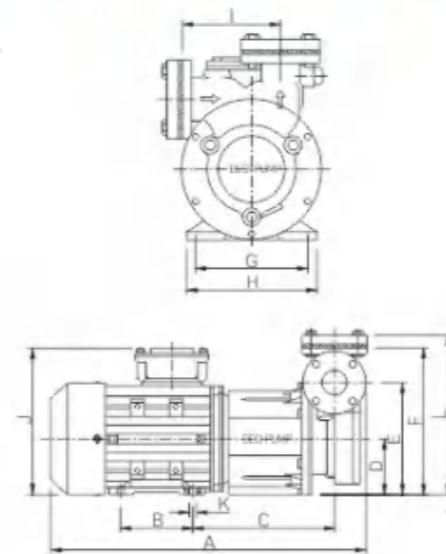
介质温度 Medium Temperature	介质比重 Medium Density	工作环境温度 Working Temperature	最高海拔 Max Elevation	最大工作压力 Max Working Pressure
-196°C~+420°C	0.6~2	-5°C~+70°C	5000m	30bar

#### 规格性能参数 / Technical Parameter

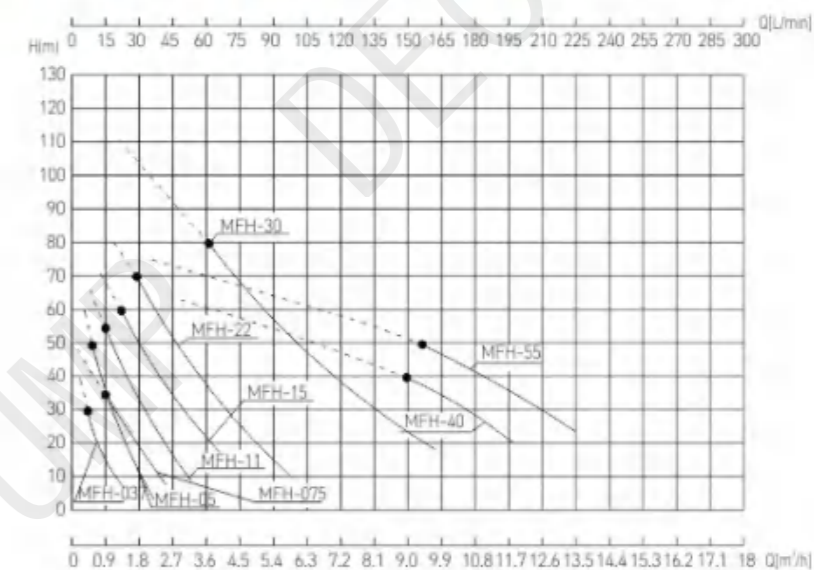
型号 Model	口径 / Diameter		电机 / Motor				性能参数 / Performance Parameter		泵浦自重 Pump Weight (Kg)	
	进口 Inlet	出口 Outlet	功率 Power (KW)	匹数 (Hp)	电压 Voltage (V)	频率 Frequency (Hz)	转速 Speed (r/min)	最高/额定扬程 Max/Rated Head (m)		最大流量 Max Capacity (L/min)
MFH-037	DN20	DN15	0.37	0.5	3Φ-380	50	2760	50/30	35	11
MFH-05	DN20	DN15	0.5	0.7	3Φ-380	50	2760	80/50	45	12
MFH-075	DN25	DN20	0.75	1	3Φ-380	50	2760	60/30	50	16
MFH-11	DN25	DN20	1.1	1.5	3Φ-380	50	2760	80/55	65	18.5
MFH-15	DN40	DN32	1.5	2	3Φ-380	50	2760	90/60	90	26
MFH-22	DN40	DN32	2.2	3	3Φ-380	50	2760	100/70	120	29
MFH-30	DN40	DN32	3	4	3Φ-380	50	2900	120/80	160	37
MFH-40	DN50	DN40	4	5.5	3Φ-380	50	2900	65/40	195	67
MFH-55	DN50	DN40	5.5	7.5	3Φ-380	50	2900	80/50	225	69

上述性能参数对应于水在20°C时以正常速度运输,性能及参数误差±10%。泵的性能随输送液体介质的比重及密度的不同而产生变化。  
The above characteristic testing is based on the water transferring with the normal speed under 20 degrees, character's error is about 10%.  
The pump character's change according to the difference of the liquid mediums' proportion and density.

#### 安装尺寸图 / Installation Drawing



#### 特性曲线图 / Characteristic Curve



#### 安装尺寸表 / Installation Size

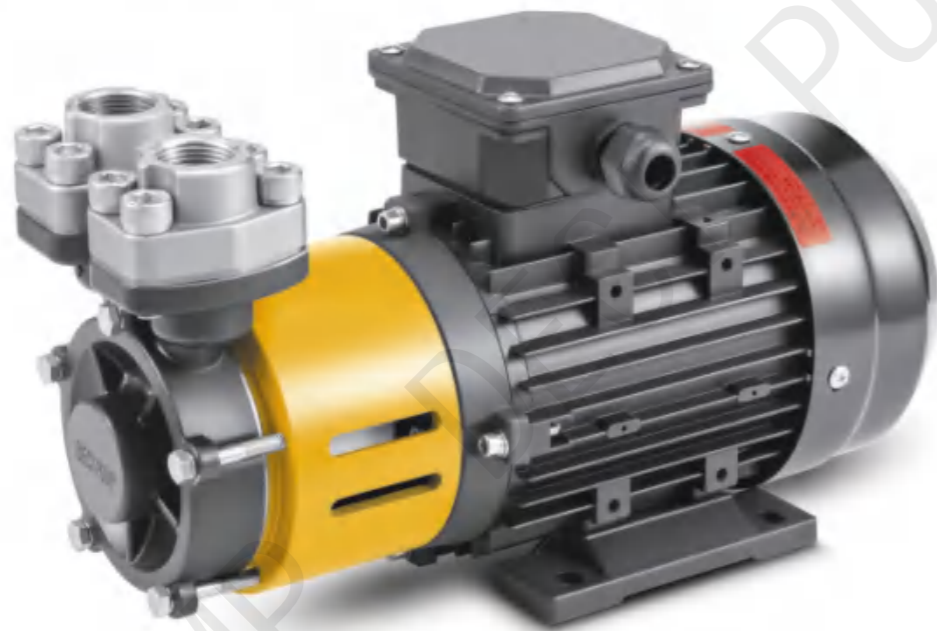
型号 / Model	A	B	C	D	E	F	G	H	I	J	K	L
MFH-037	340	80	143	63	128	170	100	120	86	169	4-Φ8	183
MFH-05	340	80	143	63	128	170	100	120	86	169	4-Φ8	183
MFH-075	384	90	177	71	142	187	112	132	98	183	4-Φ8	202
MFH-11	395	90	177	71	142	187	112	132	98	183	4-Φ8	202
MFH-15	450	100	190	80	161	213	125	153	112	205	4-Φ10	228
MFH-22	503	105	196	90	171	223	140	180	112	225	4-Φ10	238
MFH-30	570	70	80	100	185	244	100	130	125	235	4-Φ12	259
MFH-40	654	380	34.5	171	271.5	340	300	330	137	320	4-Φ14	352
MFH-55	654	380	34.5	171	271.5	340	300	330	137	320	4-Φ14	352

单位/Unit: mm

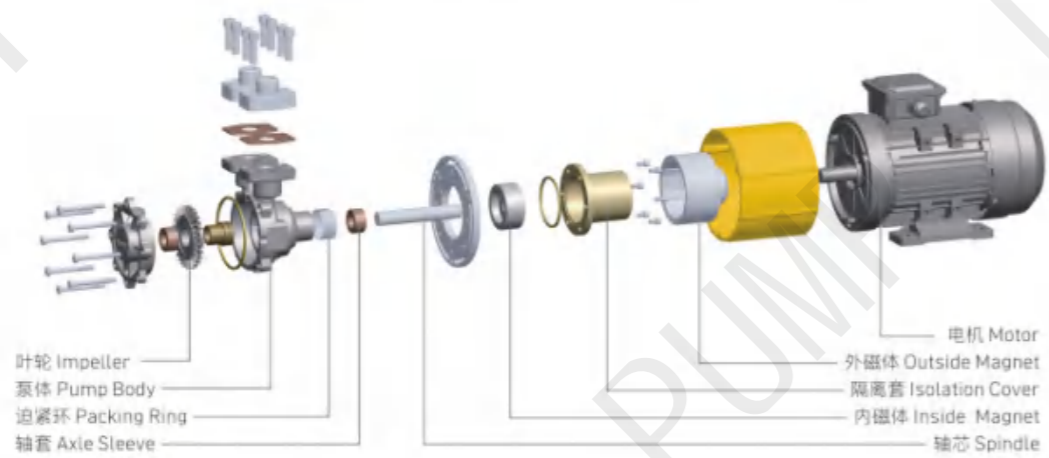
# MFC-J Series

## 简易式磁力旋涡泵

### Simple Magnetic Vortex Pump



- 性能稳定  
Stable performance
- 耐腐蚀  
Preservative
- 耐高温  
High temperature resistance
- 耐低温  
Low temperature resistance
- 体积小  
Small volume
- 不锈钢  
Stainless steel
- 无泄漏  
No leakage
- 振动小  
Little vibration



- 叶轮 Impeller
- 泵体 Pump Body
- 迫紧环 Packing Ring
- 轴套 Axie Sleeve
- 电机 Motor
- 外磁体 Outside Magnet
- 隔离套 Isolation Cover
- 内磁体 Inside Magnet
- 轴芯 Spindle

#### 特点介绍 / Features

- ◆ 应用领域: 模具控温、医药灭菌、反应釜夹套控温、蒸汽锅炉、焊机冷却、试验仪器、锅炉补水、热水炉、食品设备等。
- ◆ 循环介质: 不含颗粒、纤维的水、乙二醇、酒精、导热油、碳氢溶液、硅油等液体。
- ◆ Application Area: Mold temperature control, pharmaceutical sterilization, reactor jacket temperature control, steam boiler, welding machine cooling, test equipment, boiler water replenishment, water heater, food equipment, etc.
- ◆ Circulation Medium: Water, ethylene glycol, alcohol, heat transfer oil, hydrocarbon solution, silicone oil and other liquids that do not contain particles and fibers.

#### 使用条件 / Working Condition

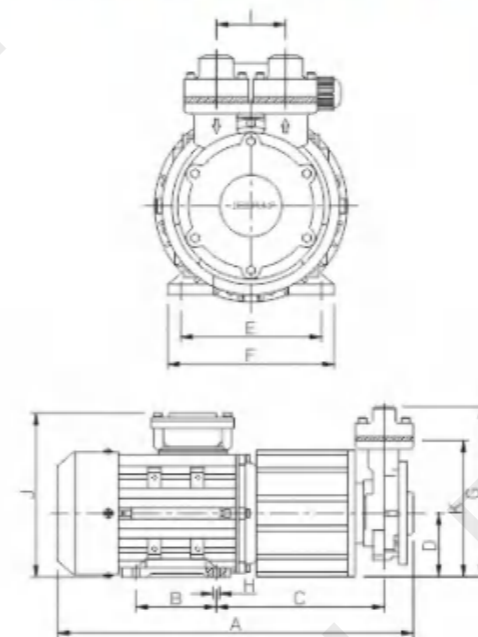
介质温度 Medium Temperature	介质比重 Medium Density	工作环境温度 Working Temperature	最高海拔 Max Elevation	最大工作压力 Max Working Pressure
-80°C~+350°C	0.6~2	-5°C~+50°C	5000m	20bar

#### 规格性能参数 / Technical Parameter

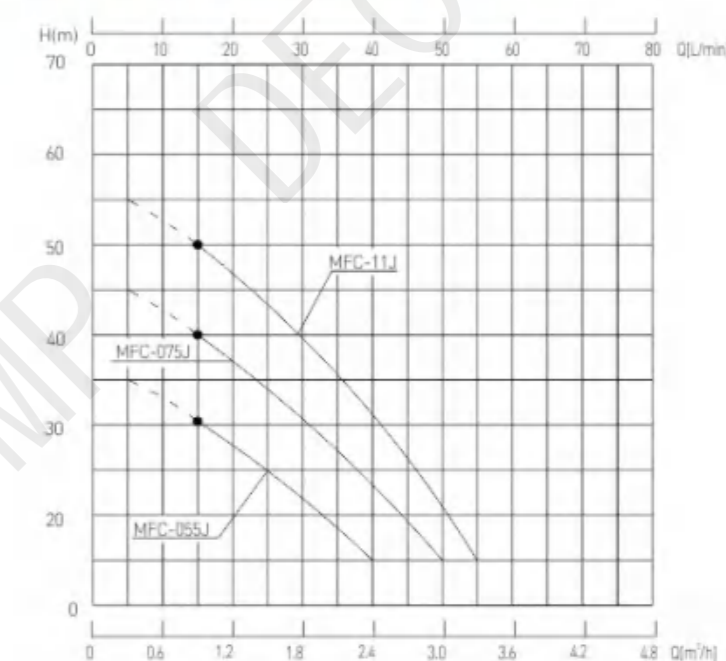
型号 Model	口径 / Diameter		电机 / Motor				性能参数 / Performance Parameter		泵浦自重 Pump Weight (Kg)	
	进口 Inlet	出口 Outlet	功率 Power (KW)	匹数 (Hp)	电压 Voltage (V)	频率 Frequency (Hz)	转速 Speed (r/min)	最高/额定扬程 Max/Rated Head (m)		最大流量 Max Capacity (L/min)
MFC-055J	DN20	DN20	0.55	0.7	3Φ-380	50	2760	35/30	40	10
MFC-075J	DN20	DN20	0.75	1	3Φ-380	50	2760	45/40	50	13
MFC-11J	DN20	DN20	1.1	1.5	3Φ-380	50	2760	55/50	60	15

上述性能参数对应于水在20°C时以正常速度运输, 性能及参数误差±10%。泵的性能随输送流体介质的比重及密度的不同而产生变化。  
The above characteristic testing is based on the water transferring with the normal speed under 20 degrees, character's error is about 10%.  
The pump characters change according to the difference of the liquid mediums' proportion and density.

#### 安装尺寸图 / Installation Drawing



#### 特性曲线图 / Characteristic Curve



#### 安装尺寸表 / Installation Size

单位/Unit: mm

型号 / Model	A	B	C	D	E	F	G	H	I	J	K
MFC-055J	325	90	115	71	110	130	175	4-Φ8	55	180	155
MFC-075J	330	90	115	71	110	130	175	4-Φ8	55	180	155
MFC-11J	345	90	115	71	110	130	175	4-Φ8	55	180	155

# SW Series

## 大流量铸铁离心泵

### Large Flow Cast Iron Centrifugal Pump



性能稳定  
Stable performance



大流量  
Large flowing



耐高温  
High temperature resistance



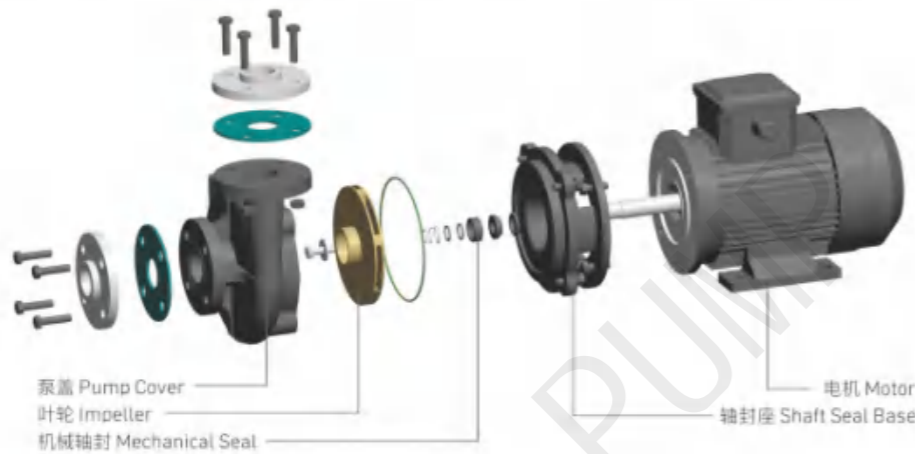
铸铁  
Cast iron



低噪音  
Low noise



振动小  
Little vibration



#### 特点介绍 / Features

- ◆ 应用领域: 模具控温、辊轮控温、反应釜夹套控温、冷凝水回收、食品设备、清洗设备、模板控温、料筒控温、冷热交换系统等。
- ◆ 循环介质: 不含颗粒、纤维的水、乙二醇、酒精、导热油、碳氢溶液、硅油、食用油等液体。
- ◆ Application Area: Mold temperature control, roller temperature control, reactor jacket temperature control, condensate water recovery, food equipment, cleaning equipment, template temperature control, barrel temperature control, cold and heat exchange systems, etc.
- ◆ Circulation Medium: Water, ethylene glycol, alcohol, heat transfer oil, hydrocarbon solution, silicone oil, edible oil and other liquids that do not contain particles and fibers.

#### 使用条件 / Working Condition

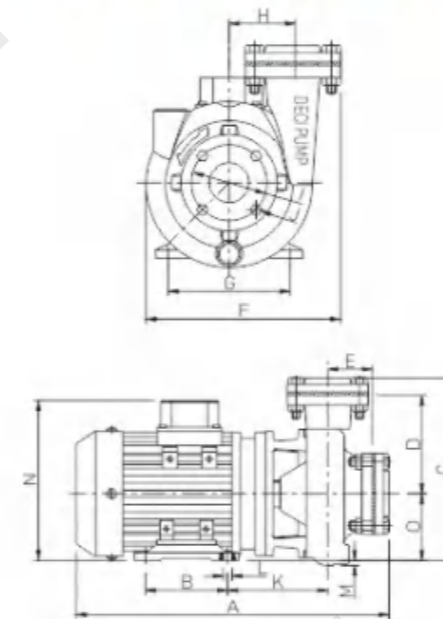
高温热水 Thermal Conductivity Water	高温导热油 Thermal Conductivity Oil	乙二醇 Ethylene Glycol	工作环境温度 Working Temperature	最高海拔 Max Elevation	最大工作压力 Max Working Pressure
-5°C~+160°C	+5°C~+200°C	-30°C~+180°C	-5°C~+40°C	1000m	10bar

#### 规格性能参数 / Technical Parameter

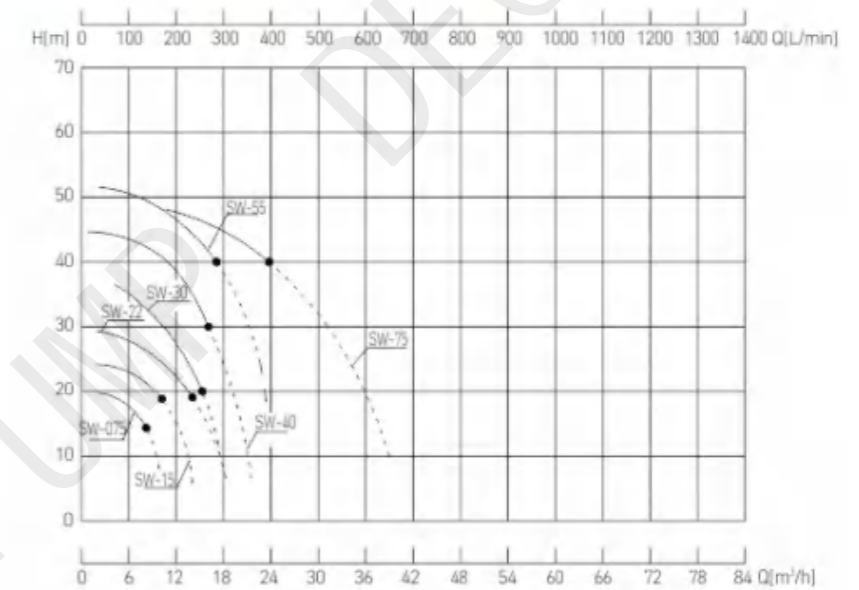
型号 Model	口径 / Diameter		电机 / Motor				性能参数 / Performance Parameter		泵浦自重 Pump Weight (Kg)	
	进口 Inlet	出口 Outlet	功率 Power (KW)	匹数 (Hp)	电压 Voltage (V)	频率 Frequency (Hz)	转速 Speed (r/min)	最高扬程 Max Head (m)		最大/额定流量 Max/Rated Capacity (L/min)
SW-075	DN40	DN40	0.75	1	3Φ-380	50	2760	20	165/133	18
SW-15	DN50	DN40	1.5	2	3Φ-380	50	2760	24	235/167	25
SW-22	DN50	DN40	2.2	3	3Φ-380	50	2760	30	315/233	32
SW-30	DN50	DN40	3	4	3Φ-380	50	2760	40	300/255	37
SW-40	DN50	DN40	4	5	3Φ-380	50	2900	45	367/267	60
SW-55	DN50	DN40	5.5	7.5	3Φ-380	50	2900	52	400/285	65
SW-75	DN65	DN50	7.5	10	3Φ-380	50	2900	50	680/400	86

上述性能参数对于水在20°C时以正常速度运输,性能及参数误差±10%。泵的性能随输送流体介质的比重及密度的不同而产生变化。  
The above characteristic testing is based on the water transferring with the normal speed under 20 degrees, character's error is about 10%.  
The pump characters change according to the difference of the liquid mediums' proportion and density.

#### 安装尺寸图 / Installation Drawing



#### 特性曲线图 / Characteristic Curve



#### 安装尺寸表 / Installation Size

单位/Unit: mm

型号 / Model	A	B	C	D	E	F	G	H	I	J	K	L	M	N	O
SW-075	384	90	202	109	54	210	110	70	Φ80	4-Φ10	126	4-Φ8	21	190	71
SW-15	436	100	254	140	60	240	140	80	Φ95	4-Φ10	145	4-Φ10	17	220	90
SW-22	448	125	254	140	60	240	140	80	Φ95	4-Φ10	145	4-Φ10	17	220	90
SW-30	475	125	260	145	63	250	140	85	Φ100	4-Φ10	145	4-Φ10	18	220	90
SW-40	568	140	293	190	100	320	190	115	Φ120	4-Φ12	195	4-Φ12	25	280	112
SW-55	610	140	318	216	102	340	216	115	Φ120	4-Φ12	215	4-Φ12	25	320	132
SW-75	610	140	318	216	102	340	216	115	Φ120	4-Φ12	215	4-Φ12	25	320	132

# SFW Series

## 铸铁&不锈钢离心泵

### Cast Iron & Stainless Steel Centrifugal Pump



性能稳定  
Stable performance



耐腐蚀  
Preservative



耐高温  
High temperature resistance



耐低温  
Low temperature resistance



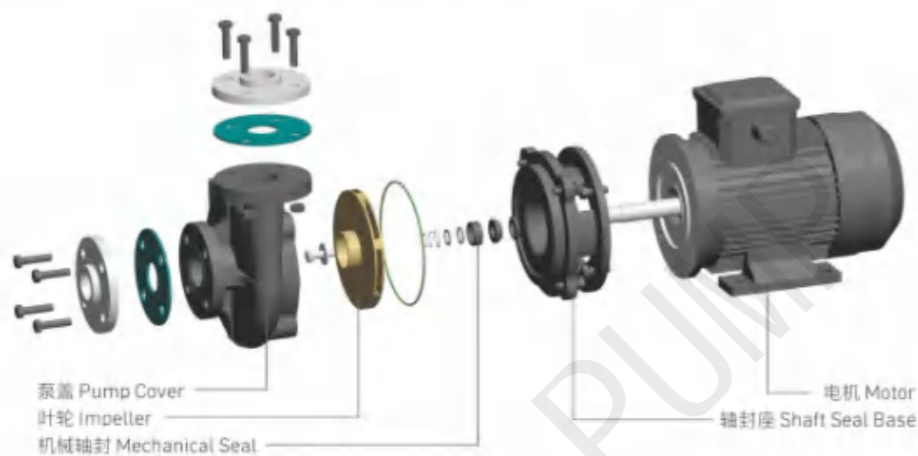
体积小  
Small volume



低噪音  
Low noise



振动小  
Little vibration



#### 特点介绍 / Features

- ◆ 应用领域: 模具控温、辊轮控温、反应釜夹套控温、热压模板控温、挤出料筒控温、冷热交换系统、食品设备等。
- ◆ 循环介质: 不含颗粒、纤维的水、乙二醇、酒精、导热油、氟氢溶液、硅油、食用油等液体。
- ◆ Application Area: Mold temperature control, roller temperature control, reactor jacket temperature control, hot pressing template temperature control, extrusion barrel temperature control, cold and heat exchange system, food equipment, etc.
- ◆ Circulation Medium: Water, ethylene glycol, alcohol, heat transfer oil, hydrocarbon solution, silicone oil, edible oil and other liquids that do not contain particles and fibers.

#### 使用条件 / Working Condition

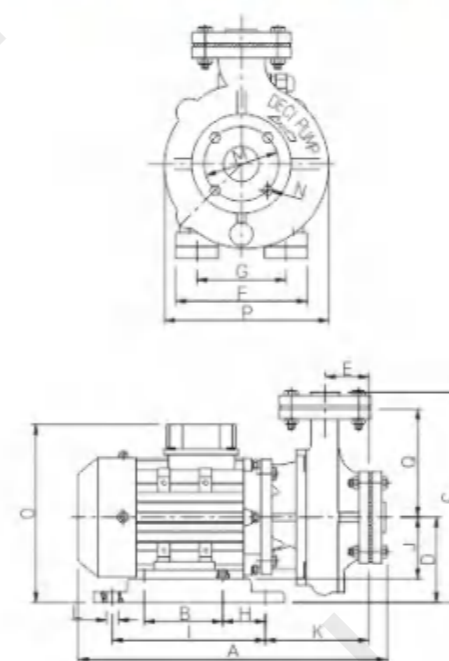
高温热水 Thermal Conductivity Water	高温导热油 Thermal Conductivity Oil	乙二醇 Ethylene Glycol	工作环境温度 Working Temperature	最高海拔 Max Elevation	最大工作压力 Max Working Pressure
-5°C~+160°C	+5°C~+200°C	-30°C~+180°C	-5°C~+40°C	1000m	10bar

#### 规格性能参数 / Technical Parameter

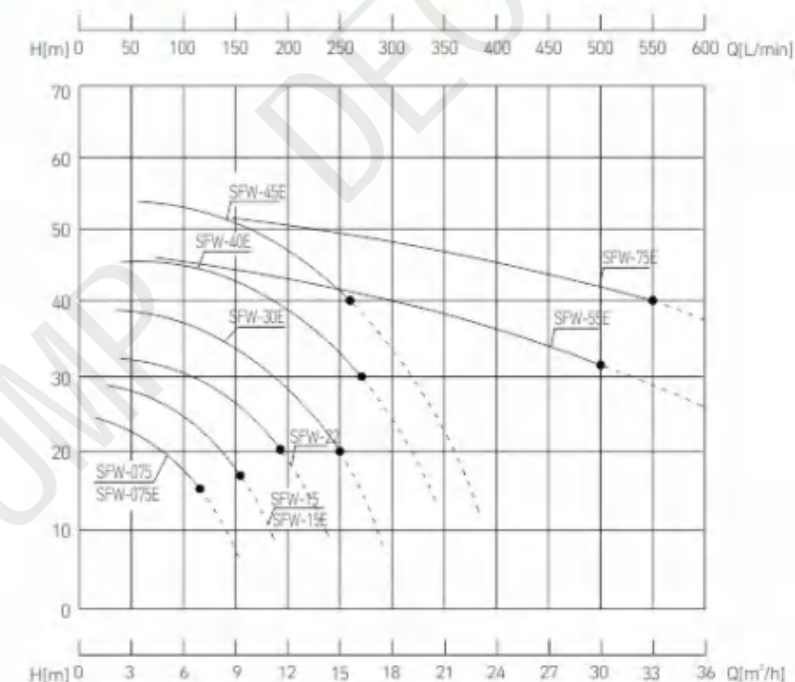
型号 Model	口径 / Diameter		电机 / Motor				性能参数 / Performance Parameter		泵浦自重 Pump Weight (Kg)	
	进口 Inlet	出口 Outlet	功率 Power (KW)	匹数 (Hp)	电压 Voltage (V)	频率 Frequency (Hz)	转速 Speed (r/min)	最高扬程 Max Head (m)		最大/额定流量 Max/Rated Capacity (L/min)
SFW-075/075E	DN32	DN25	0.75	1	3Φ-380	50	2760	25	160/135	14
SFW-15/15E	DN32	DN25	1.5	2	3Φ-380	50	2760	30	200/150	18.5
SFW-22E	DN50	DN32	2.2	3	3Φ-380	50	2760	36	240/190	33
SFW-30E	DN50	DN32	3	4	3Φ-380	50	2900	40	300/260	32
SFW-40E	DN50	DN40	4	5	3Φ-380	50	2900	45	367/265	55
SFW-45E	DN50	DN40	4.5	6	3Φ-380	50	2900	52	400/285	60
SFW-55E	DN65	DN50	5.5	7.5	3Φ-380	50	2900	45	750/500	63
SFW-75E	DN65	DN50	7.5	10	3Φ-380	50	2900	52	1000/530	65

上述性能参数对应于水在20°C时以正常速度运输,性能及参数误差±10%。泵的性能随输送流体介质的比重及密度的不同而产生变化。  
The above characteristic testing is based on the water transferring with the normal speed under 20 degrees, character's error is about 10%.  
The pump characters change according to the difference of the liquid mediums' proportion and density.

#### 安装尺寸图 / Installation Drawing



#### 特性曲线图 / Characteristic Curve



#### 安装尺寸表 / Installation Size

单位/Unit: mm

型号 / Model	A	B	C	D	E	F	G	H	I	J	K	L	M	N	O	P	Q
SFW-075/075E	350	90	240	98	50	132	87	48.5	175	71	117.5	4-Φ13	Φ78	4-Φ10	200	Φ180	125
SFW-15/15E	385	100	250	107	50	153	108	36.5	175	80	130.5	4-Φ13	Φ78	4-Φ10	220	Φ180	125
SFW-22E	430	125	274	117	55	170	122	50	245	90	132	4-Φ12	Φ94	4-Φ12	235	Φ210	135
SFW-30E	480	140	278	127	55	195	142	50	245	100	152	4-Φ12	Φ94	4-Φ12	303	Φ204	135
SFW-40E/45E	527	140	340	139	90	220	172	50	245	112	191	4-Φ12	Φ120	4-Φ15	320	Φ256	165
SFW-55E	610	140	315	-	100	250	215	-	132	196	4-Φ14	Φ120	4-Φ15	320	Φ275	166	
SFW-75E	610	140	315	-	100	250	215	-	132	196	4-Φ14	Φ120	4-Φ15	320	Φ275	166	

# SP Series

## 卧式清水离心泵

### Horizontal Clean Water Centrifugal Pump



性能稳定  
Stable performance



耐腐蚀  
Preservative



体积小  
Small volume



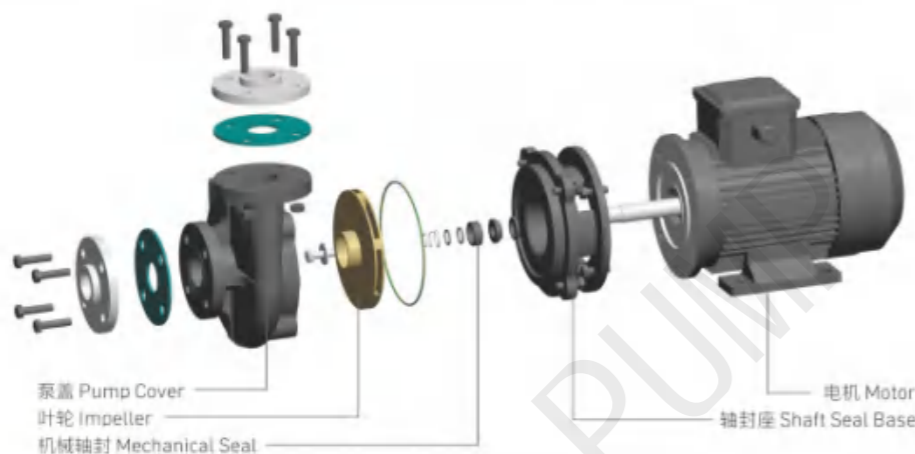
不锈钢  
Stainless steel



低噪音  
Low noise



振动小  
Little vibration



#### 特点介绍 / Features

- ◆ 应用领域: 冷冻设备、洗碗设备、医疗清洗、水处理设备、管道增压、洗衣龙设备。
- ◆ 循环介质: 不含颗粒、纤维的水、乙二醇、酒精等液体。
- ◆ Application Area: Refrigeration equipment, dishwashing equipment, medical cleaning, water treatment equipment, pipeline booster, tunnel washing machine equipment.
- ◆ Circulation Medium: Water, glycol, alcohol and other liquids free of particles and fibers.

#### 使用条件 / Working Condition

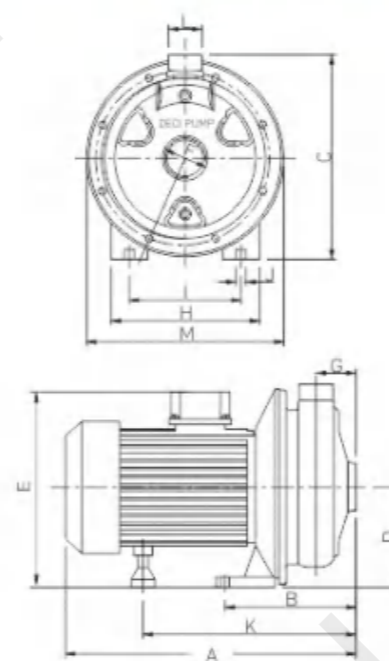
高温热水 Thermal Conductivity Water	乙二醇 Ethylene Glycol	工作环境温度 Working Temperature	最高海拔 Max Elevation	最大工作压力 Max Working Pressure
+5°C ~ +120°C	-20°C ~ +90°C	-5°C ~ +40°C	1000m	8bar

#### 规格性能参数 / Technical Parameter

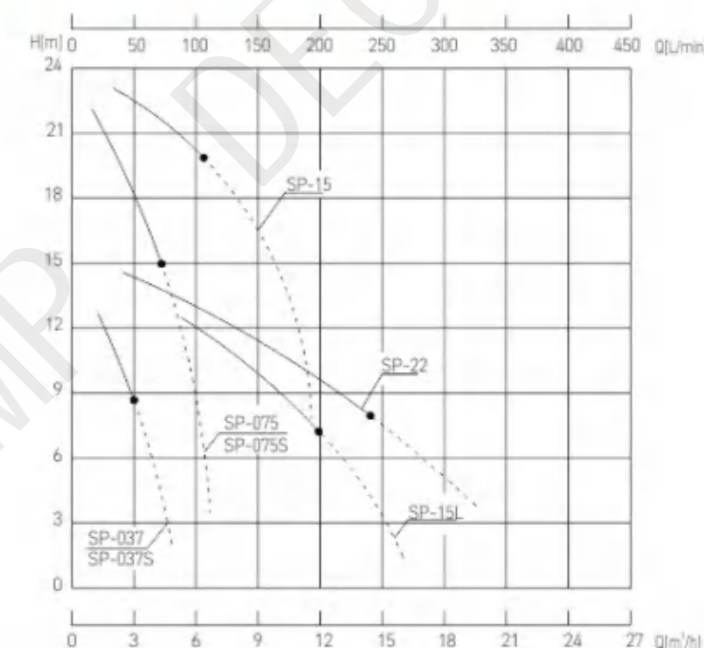
型号 Model	口径 / Diameter		电机 / Motor				性能参数 / Performance Parameter		泵浦自重 Pump Weight (Kg)	
	进口 Inlet	出口 Outlet	功率 Power (KW)	匹数 (Hp)	电压 Voltage (V)	频率 Frequency (Hz)	转速 Speed (r/min)	最高扬程 Max Head (m)		最大/额定流量 Max/Rated Capacity (L/min)
SP-037	G1.2"	G1"	0.37	0.5	3Φ-380	50	2760	15	75/50	7.5
SP-037S	G1.2"	G1"	0.37	0.5	3Φ-380	50	2760	15	75/50	7.5
SP-075	G1.2"	G1"	0.75	1	3Φ-380	50	2760	25	106/75	8.5
SP-075S	G1.2"	G1"	0.75	1	3Φ-380	50	2760	25	106/75	8.5
SP-15	G1.5"	G1"	1.5	2	3Φ-380	50	2760	26	180/115	14.5
SP-15L	G2"	G2"	1.5	2	3Φ-380	50	2760	15	300/200	18
SP-22	G2.5"	G2"	2.2	3	3Φ-380	50	2900	16	400/240	21.5

上述性能参数对水在20°C时以正常速度运输, 性能及参数误差±10%。泵的性能随输送流体介质的比重及密度的不同而产生变化。  
The above characteristic testing is based on the water transferring with the normal speed under 20 degrees, character's error is about 10%.  
The pump characters change according to the difference of the liquid mediums' proportion and density.

#### 安装尺寸图 / Installation Drawing



#### 特性曲线图 / Characteristic Curve



#### 安装尺寸表 / Installation Size

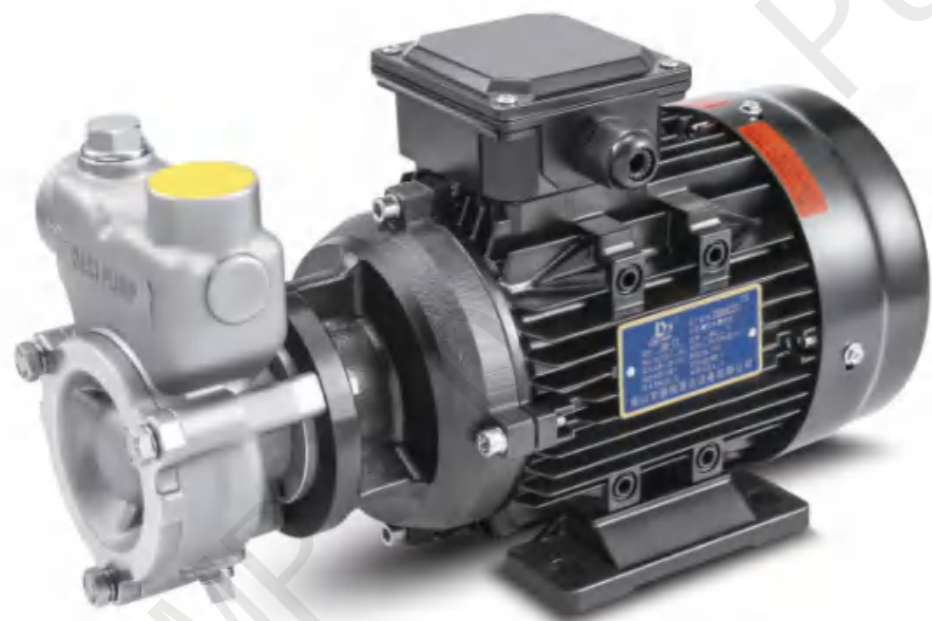
单位/Unit: mm

型号 / Model	A	B	C	D	E	F	G	H	I	J	K	L	M
SP-037/037S	288	132	199	90	184	46	52.5	132.5	100	8	213	37	171
SP-075/075S	315	137	222	110	214	46	46	160	120	11	233	37	213
SP-15	357	133	223	110	233	52	35	162	120	11	250	37	213
SP-15L	405	196.5	245	115	230	65	84	180	140	10	300	65	195
SP-22	442	194.5	250	120	236	80	87	175	140	11	347.5	65	195

# CH Series

## 自吸气液混合泵

### Self-aspirating Liquid Mixing Pump



高压力  
High pressure



耐腐蚀  
Preservative



耐高温  
High temperature  
resistance



耐低温  
Low temperature  
resistance



体积小  
Small volume



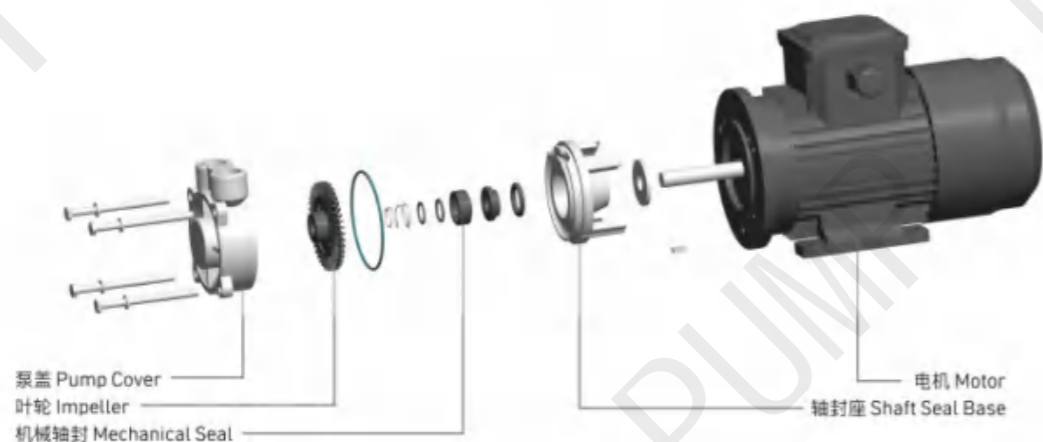
不锈钢  
Stainless steel



低噪音  
Low noise



性能稳定  
Stable  
performance



#### 特点介绍 / Features

- ◆ 应用领域: 模具控温、锅炉补水、超声波清洗、食品机械、臭氧发生器、高低温检测等。
- ◆ 循环介质: 不含颗粒、纤维的水、乙二醇、酒精、导热油、碳氢溶液、硅油、食用油等。
- ◆ Application Area: Mold temperature control, boiler water replenishment, ultrasonic cleaning, food machinery, ozone generator, high and low temperature detection, etc.
- ◆ Circulation Medium: Water, ethylene glycol, alcohol, heat transfer oil, hydrocarbon solution, silicone oil, edible oil, etc. without particles and fibers.

#### 使用条件 / Working Condition

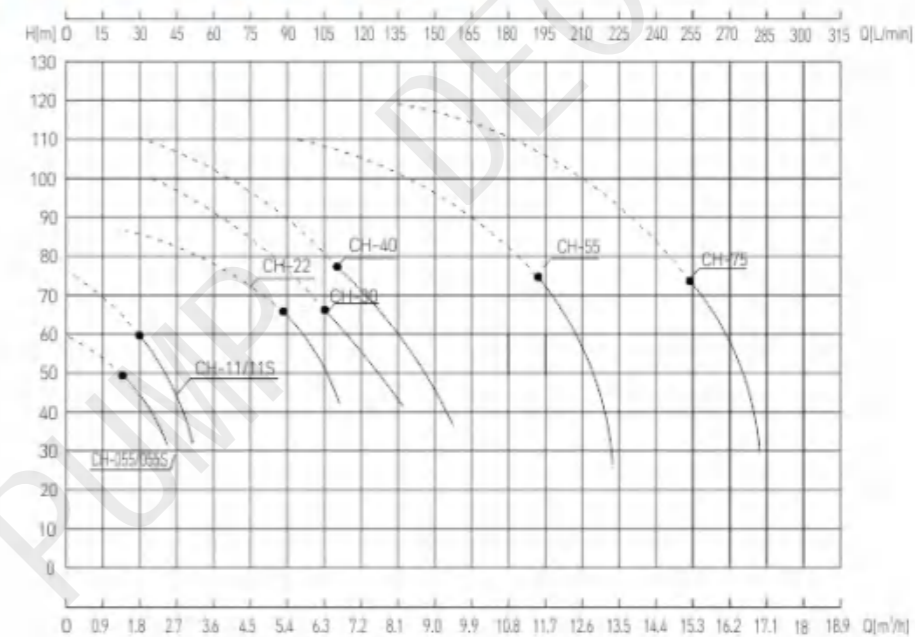
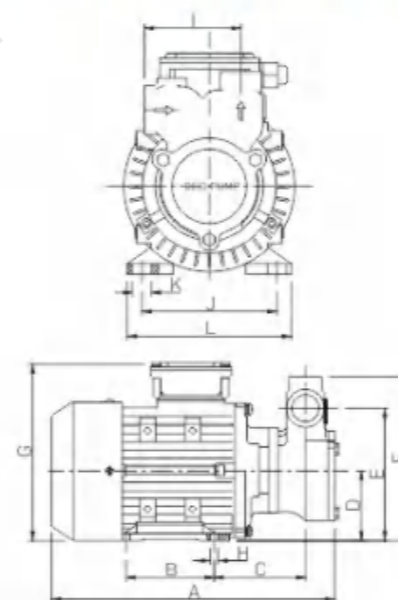
高温热水 Thermal Conductivity Water	高温导热油 Thermal Conductivity Oil	乙二醇 Ethylene Glycol	工作环境温度 Working Temperature	最高海拔 Max Elevation	最大工作压力 Max Working Pressure
-5°C~+160°C	+5°C~+200°C	-20°C~+90°C	-5°C~+40°C	1000m	15bar

#### 规格性能参数 / Technical Parameter

型号 Model	口径 / Diameter		电机 / Motor					性能参数 / Performance Parameter		泵浦自重 Pump Weight (Kg)
	进口 Inlet	出口 Outlet	功率 Power (KW)	匹数 (Hp)	电压 Voltage (V)	频率 Frequency (Hz)	转速 Speed (r/min)	最高/额定扬程 Max/Rated Head (m)	最大流量 Max Capacity (L/min)	
CH-055	G3/4	G1/2	0.55	0.7	3Φ-380	50	2800	60/50	60	12.5
CH-055S	G3/4	G1/2	0.55	0.7	3Φ-380	50	2800	60/50	60	12.5
CH-11	G1	G3/4	1.1	1.5	3Φ-380	50	2800	75/60	70	15.5
CH-11S	G1	G3/4	1.1	1.5	3Φ-380	50	2800	75/60	70	15.5
CH-22	G1 1/2	G1 1/2	2.2	3	3Φ-380	50	2900	90/65	120	22
CH-30	G1 1/2	G1 1/2	3	4	3Φ-380	50	2900	105/65	140	35
CH-40	G1 1/2	G1 1/2	4	5	3Φ-380	50	2900	115/75	155	43
CH-55	G2	G1 1/2	5.5	7.5	3Φ-380	50	2900	120/75	255	60
CH-75	G2	G1 1/2	7.5	10	3Φ-380	50	2900	130/75	290	65

上述性能参数对应于水在20°C时以正常速度运输,性能及参数误差±10%。泵的性能随输送液体介质的比重及密度的不同而产生变化。  
The above characteristic testing is based on the water transferring with the normal speed under 20 degrees, character's error is about 10%.  
The pump characters change according to the difference of the liquid mediums' proportion and density.

#### 安装尺寸图 / Installation Drawing ■ 特性曲线图 / Characteristic Curve



#### 安装尺寸表 / Installation Size

单位/Unit: mm

型号 / Model	A	B	C	D	E	F	G	H	I	J	K	L
CH-055	320	90	100	71	128	158	195	4-Φ7	75	110	4-Φ7	150
CH-055S	320	90	100	71	128	158	195	4-Φ7	75	110	4-Φ7	150
CH-11	327	100	105	80	150	185	214	4-Φ10	88	125	4-Φ10	165
CH-11S	327	100	105	80	150	185	214	4-Φ10	88	125	4-Φ10	165
CH-22	420	125	115	90	175	220	225	4-Φ10	110	125	4-Φ10	175
CH-30	444	140	135	100	185	230	240	4-Φ12	112	160	4-Φ12	200
CH-40	451	140	142	112	197	242	255	4-Φ12	112	190	4-Φ12	225
CH-55	570	140	190	132	232	290	285	4-Φ12	125	216	4-Φ12	280
CH-75	570	140	190	132	232	290	285	4-Φ12	125	216	4-Φ12	280

# CW Series

## 不锈钢旋涡泵

### Stainless Steel Vortex Pump



高压力  
High pressure



耐腐蚀  
Preservative



耐高温  
High temperature  
resistance



耐低温  
Low temperature  
resistance



体积小  
Small volume



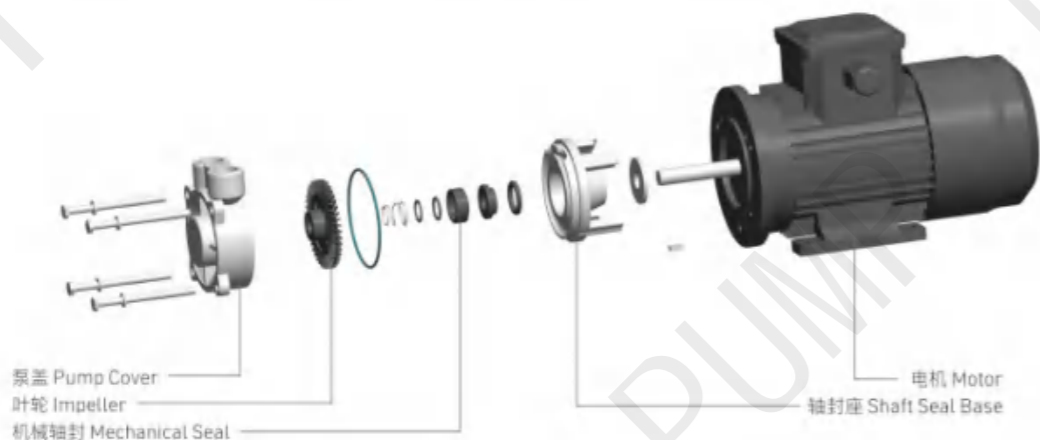
不锈钢  
Stainless steel



低噪音  
Low noise



性能稳定  
Stable  
performance



### 特点介绍 / Features

- ◆ 应用领域: 模具控温、锅炉补水、医药灭菌、食品机械, 反应釜夹套控温、焊机冷却、蒸汽锅炉、热水炉。
- ◆ 循环介质: 不含颗粒、纤维的水、乙二醇、酒精、导热油、碳氢溶液、硅油、食用油等。
- ◆ Application Area: Mold temperature control, boiler water replenishment, pharmaceutical sterilization, food machinery, reactor jacket temperature control, welding machine cooling, steam boilers, water heaters.
- ◆ Circulation Medium: Water, ethylene glycol, alcohol, heat transfer oil, hydrocarbon solution, silicone oil, edible oil, etc. without particles and fibers.

### 使用条件 / Working Condition

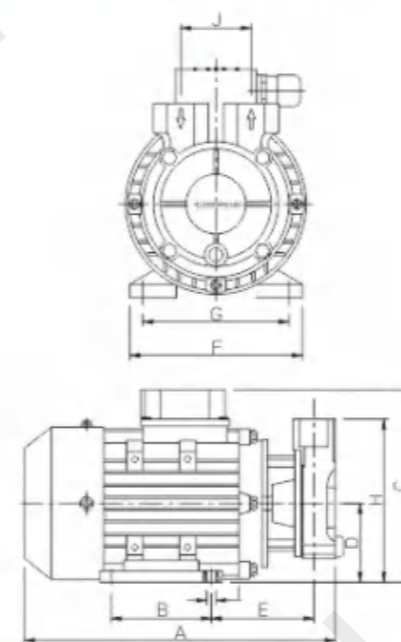
高温热水 Thermal Conductivity Water	高温导热油 Thermal Conductivity Oil	乙二醇 Ethylene Glycol	工作环境温度 Working Temperature	最高海拔 Max Elevation	最大工作压力 Max Working Pressure
-5°C~+160°C	+5°C~+200°C	-30°C~+180°C	-5°C~+40°C	1000m	15bar

### 规格性能参数 / Technical Parameter

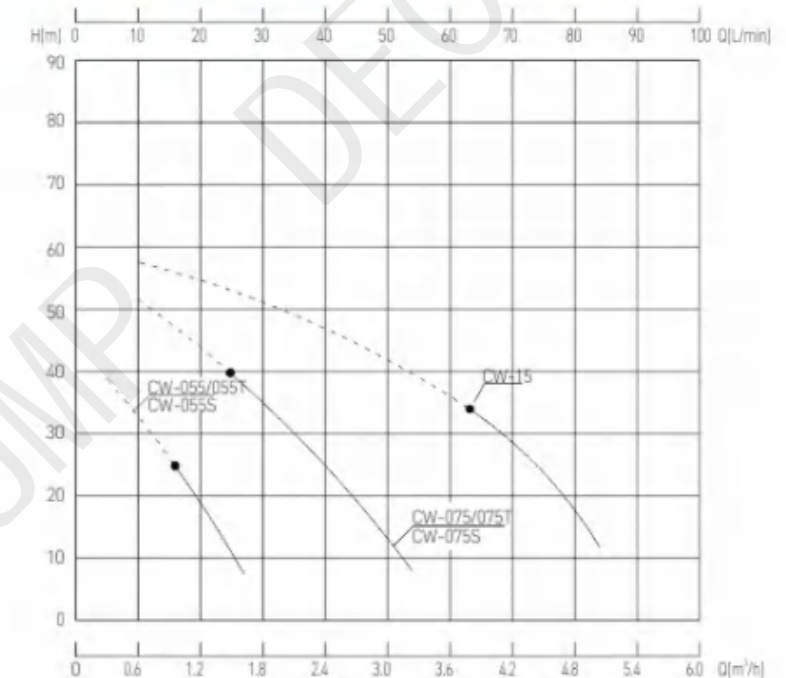
型号 Model	口径 / Diameter		电机 / Motor				性能参数 / Performance Parameter		泵浦自重 Pump Weight (Kg)	
	进口 Inlet	出口 Outlet	功率 Power (KW)	匹数 (Hp)	电压 Voltage (V)	频率 Frequency (Hz)	转速 Speed (r/min)	最高/额定扬程 Max/Rated Head (m)		最大流量 Max Capacity (L/min)
CW-055T	DN20	DN20	0.55	0.7	3Φ-380	50	2760	40/25	30	7
CW-055	G1/2	G1/2	0.55	0.7	3Φ-380	50	2760	40/25	30	7
CW-055S	G1/2	G1/2	0.55	0.7	1Φ-220	50	2760	40/25	30	7
CW-075	DN20	DN20	1	1	3Φ-380	50	2760	60/40	60	11
CW-075T	G3/4	G3/4	1	1	3Φ-380	50	2760	60/40	60	11
CW-075S	G3/4	G3/4	1	1	1Φ-220	50	2760	60/40	60	11
CW-15	DN25	DN25	2	2	3Φ-380	50	2760	60/35	90	16

上述性能参数对液体在20°C时以正常速度运输, 性能及参数误差±10%。泵的性能随输送液体介质的比重及密度的不同而产生变化。  
The above characteristic testing is based on the water transferring with the normal speed under 20 degrees, character's error is about 10%.  
The pump characters change according to the difference of the liquid mediums' proportion and density.

### 安装尺寸图 / Installation Drawing



### 特性曲线图 / Characteristic Curve



### 安装尺寸表 / Installation Size

单位/Unit: mm

型号 / Model	A	B	C	D	E	F	G	H	I	J
CW-055T	265	90	175	71	83	132	112	127	4-Φ8	35
CW-055	265	90	175	71	83	132	112	127	4-Φ8	35
CW-055S	265	90	175	71	83	132	112	127	4-Φ8	35
CW-075	285	90	175	71	92	132	112	147	4-Φ8	55
CW-075T	285	90	175	71	92	132	112	147	4-Φ8	55
CW-075S	285	90	175	71	92	132	112	147	4-Φ8	55
CW-15	315	100	193	80	92.5	153	125	202	4-Φ10	55

# SF Series

## 铸铁旋涡泵

### Cast Iron Vortex Pump



性能稳定  
Stable performance



耐高温  
High temperature resistance



耐低温  
Low temperature resistance



体积小  
Small volume



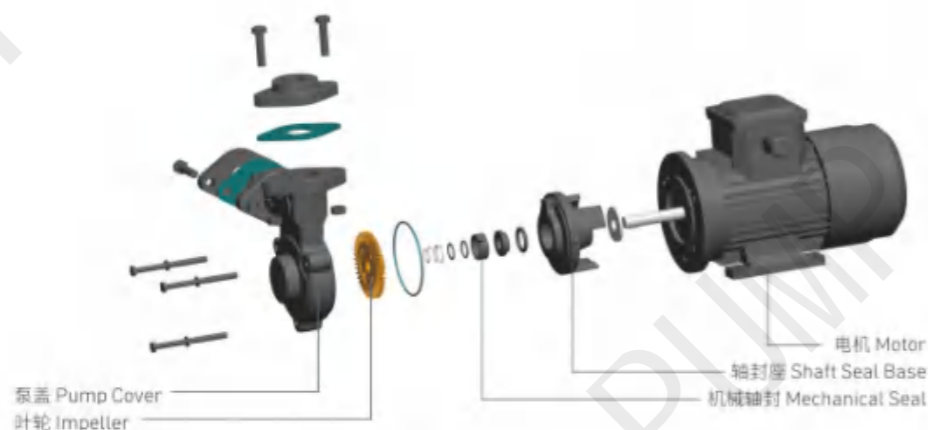
铸铁  
Cast iron



低噪音  
Low noise



振动小  
Little vibration



### 特点介绍 / Features

- ◆ 应用领域: 模具控温、锅炉补水、超声波清洗、试验仪器、料筒控温、冷热交换系统等。
- ◆ 循环介质: 不含颗粒、纤维的水、乙二醇、酒精、导热油、氟氢溶液、硅油、食用油等。
- ◆ Application Area: Mold temperature control, boiler water replenishment, ultrasonic cleaning, test equipment, barrel temperature control, cold and heat exchange system, etc.
- ◆ Circulation Medium: Water, ethylene glycol, alcohol, heat transfer oil, hydrocarbon solution, silicone oil, edible oil, etc. without particles and fibers.

### 使用条件 / Working Condition

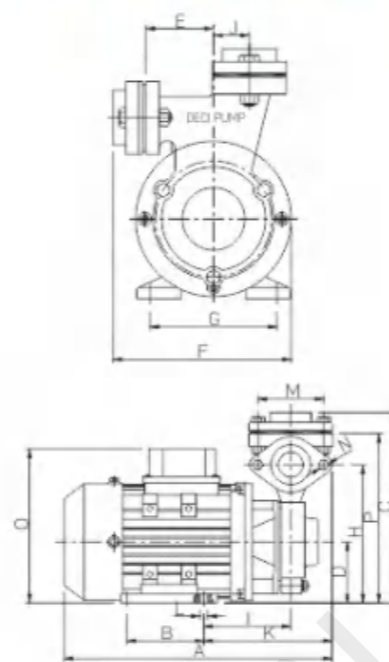
高温热水 Thermal Conductivity Water	高温导热油 Thermal Conductivity Oil	乙二醇 Ethylene Glycol	工作环境温度 Working Temperature	最高海拔 Max Elevation	最大工作压力 Max Working Pressure
-5°C~+160°C	+5°C~+200°C	-30°C~+180°C	-5°C~+40°C	1000m	10bar

### 规格性能参数 / Technical Parameter

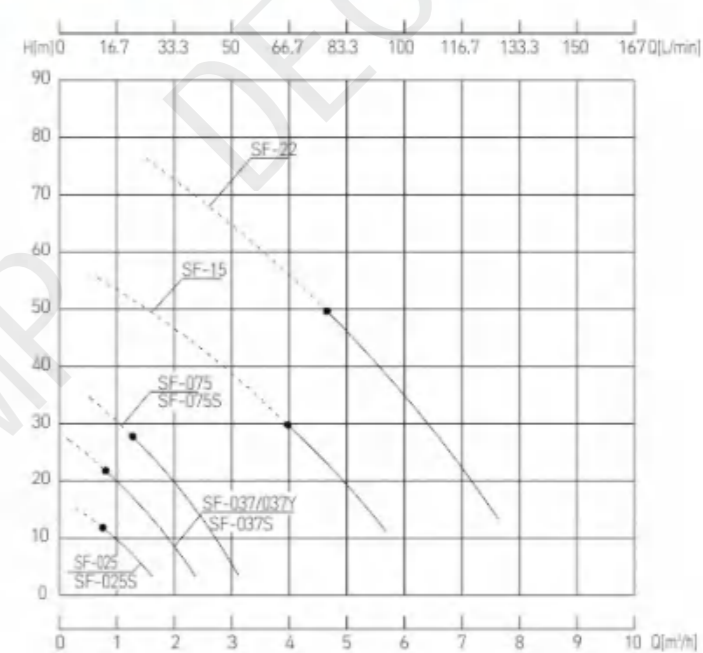
型号 Model	口径 / Diameter		电机 / Motor				性能参数 / Performance Parameter		泵浦自重 Pump Weight (Kg)	
	进口 Inlet	出口 Outlet	功率 Power (KW)	匹数 (Hp)	电压 Voltage (V)	频率 Frequency (Hz)	转速 Speed (r/min)	最高/额定扬程 Max/Rated Head (m)		最大流量 Max Capacity (L/min)
SF-025/025S	DN20	DN20	0.25	0.33	3Φ-380 1Φ-220	50	2760	15/12	30	9
SF-037/037S	DN20	DN20	0.37	0.5	3Φ-380 1Φ-220	50	2760	28/22	42	9
SF-037Y	DN20	DN20	0.37	0.5	3Φ-380 1Φ-220	50	2760	28/22	42	9
SF-075/075S	DN20	DN20	0.75	1	3Φ-380 1Φ-220	50	2760	38/28	56	12.5
SF-15	DN25	DN25	1.5	2	3Φ-380 1Φ-220	50	2760	60/30	110	18
SF-22	DN32	DN25	2.2	3	3Φ-380	50	2760	85/50	140	24

上述性能参数对应于水在20°C时以正常速度运输,性能及参数误差±10%。泵的性能随输送液体介质的比重及密度的不同而产生变化。  
The above characteristic testing is based on the water transferring with the normal speed under 20 degrees, character's error is about 10%.  
The pump characters change according to the difference of the liquid mediums' proportion and density.

### 安装尺寸图 / Installation Drawing



### 特性曲线图 / Characteristic Curve



### 安装尺寸表 / Installation Size

单位/Unit: mm

型号 / Model	A	B	C	D	E	F	G	H	I	J	K	L	M	N	O	P
SF-025/025S	275	80	197	63	54	144	100	142.5	85	29	128	4-Φ8	68	2-Φ9	160	175
SF-037/037S	275	80	197	63	54	144	100	142.5	85	29	128	4-Φ8	69	2-Φ9	160	175
SF-037Y	275	80	187	60	56	144	100	132	90	29	128	4-Φ8	69	2-Φ9	160	165
SF-075/075S	305	90	197	71	66	159	112	127	96	/	139	4-Φ8	70	2-Φ9	175	175
SF-15	350	100	216.5	80	72	172	125	150	120	/	166	4-Φ10	73	4-Φ9	193	193
SF-22	425	125	220	90	72	180	140	155	115	40	155	4-Φ10	73	4-Φ9	210	205



# SV Series

## 黄铜旋涡泵 Brass Vortex Pump



性能稳定  
Stable performance



耐高温  
High temperature resistance



耐低温  
Low temperature resistance



体积小  
Small volume



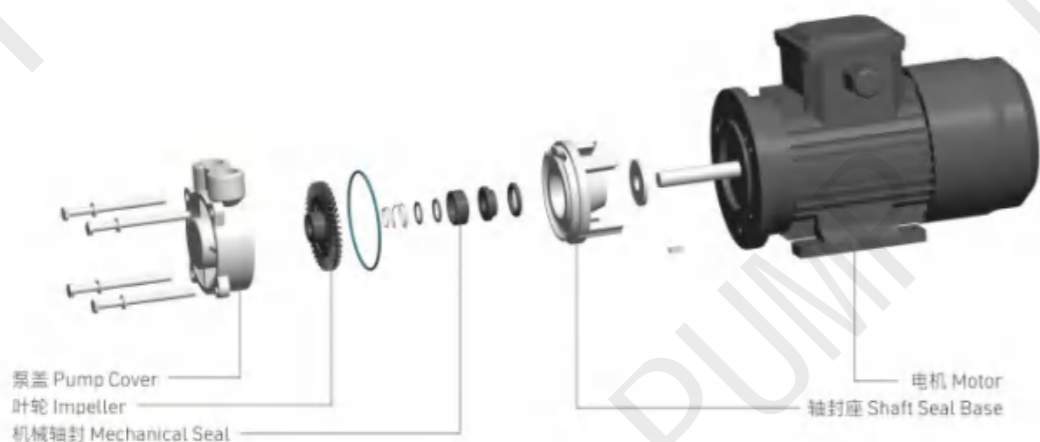
黄铜  
Brass material



低噪音  
Low noise



振动小  
Little vibration



### 特点介绍 / Features

- ◆ 应用领域: 医疗灭菌器, 蒸汽发生器, 焊机冷却, 小型冷却循环系统等。
- ◆ 循环介质: 不含颗粒、纤维的水、乙二醇、酒精、导热油、甲醇、硅油等液体。
- ◆ Application Area: Medical sterilizers, steam generators, welding machine cooling, small cooling circulation systems, etc.
- ◆ Circulation Medium: Water, ethylene glycol, alcohol, heat transfer oil, methanol, silicone oil and other liquids that do not contain particles and fibers.

### 使用条件 / Working Condition

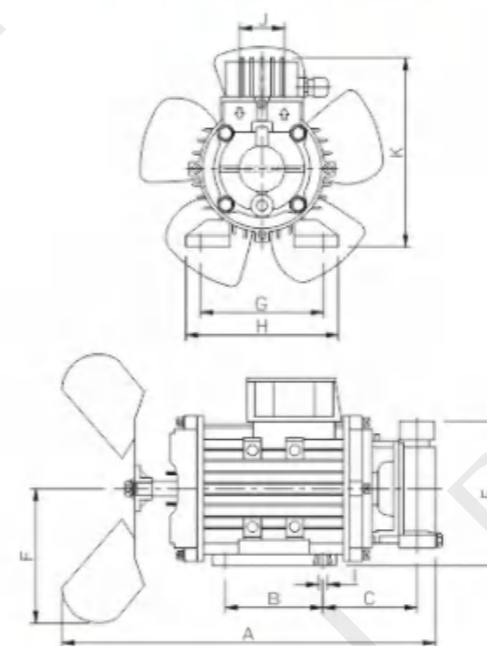
高温热水 Thermal Conductivity Water	高温导热油 Thermal Conductivity Oil	乙二醇 Ethylene Glycol	工作环境温度 Working Temperature	最高海拔 Max Elevation	最大工作压力 Max Working Pressure
-5°C~+160°C	+5°C~+200°C	-30°C~+180°C	-5°C~+40°C	1000m	10bar

### 规格性能参数 / Technical Parameter

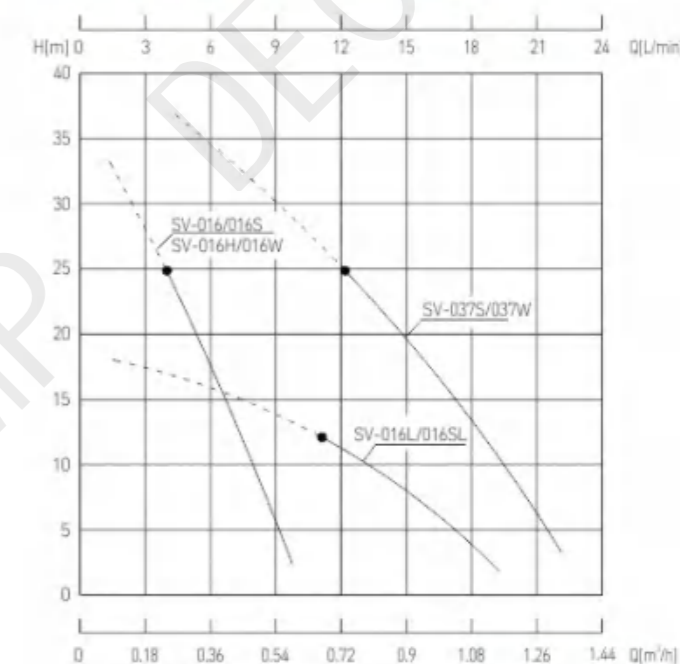
型号 Model	口径 / Diameter		电机 / Motor				性能参数 / Performance Parameter		泵浦自重 Pump Weight (Kg)	
	进口 Inlet	出口 Outlet	功率 Power (KW)	匹数 (Hp)	电压 Voltage (V)	频率 Frequency (Hz)	转速 Speed (r/min)	最高/额定扬程 Max/Rated Head (m)		最大流量 Max Capacity (L/min)
SV-016 SV-016S/016H	G1/4"	G1/4"	0.16	0.21	3Φ-380 1Φ-220	50	2760	36/25	10	4
SV-016W	G1/4"	G1/4"	0.16	0.21	3Φ-380 1Φ-220	50	2760	36/25	10	4
SV-016L SV-016SL	G1/2"	G1/2"	0.16	0.21	3Φ-380 1Φ-220	50	2760	20/13	20	5
SV-037W SV-037S	G1/2"	G1/2"	0.37	0.5	3Φ-380 1Φ-220	50	2760	45/25	25	6.5

上述性能参数对应于水在20°C时以正常速度运输, 性能及参数误差±10%。泵的性能随输送液体介质的比重及密度的不同而产生变化。  
The above characteristic testing is based on the water transferring with the normal speed under 20 degrees, character's error is about 10%.  
The pump character's change according to the difference of the liquid mediums' proportion and density.

### 安装尺寸图 / Installation Drawing



### 特性曲线图 / Characteristic Curve



### 安装尺寸表 / Installation Size

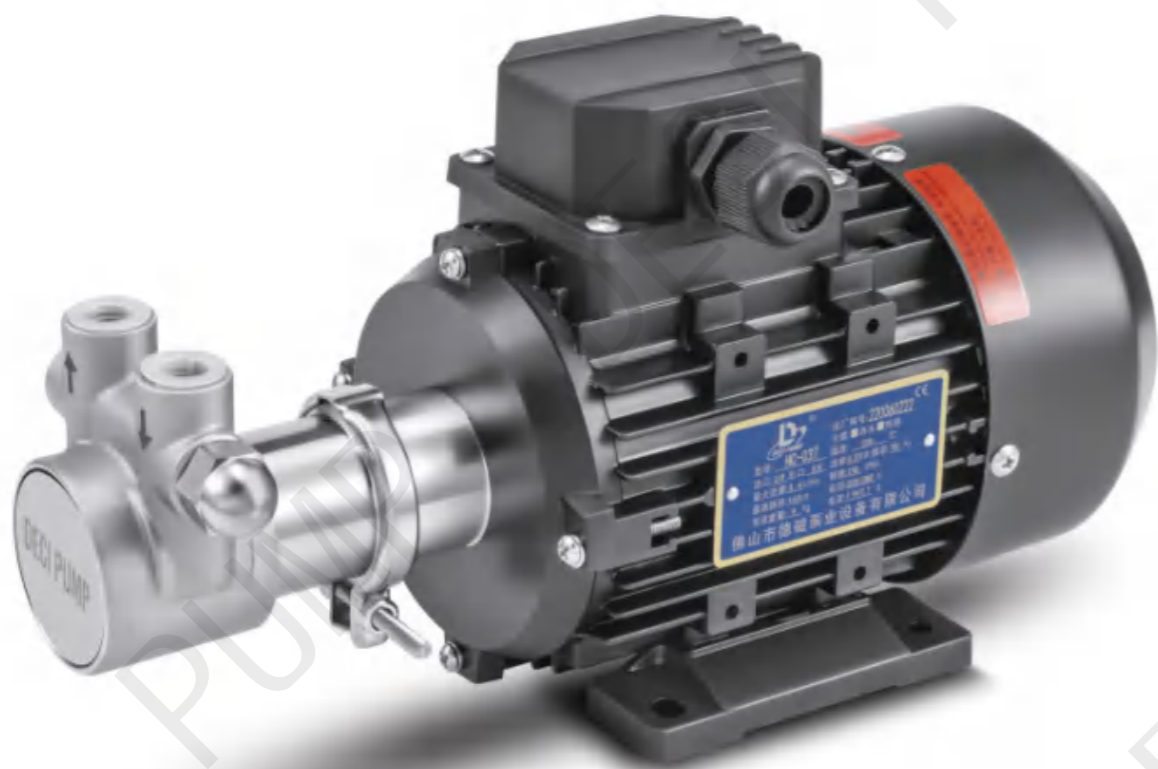
单位/Unit: mm

型号 / Model	A	B	C	D	E	F	G	H	I	J	K
SV-016	227	70	65.5	56	98	-	90	112	Φ4-8	25	137
SV-016S	227	70	65.5	56	98	-	90	112	Φ4-8	25	137
SV-016H	227	70	65.5	56	98	-	90	112	Φ4-8	25	137
SV-016W	226	70	65.5	56	98	100	90	112	Φ4-8	25	137
SV-016L	226	70	74	56	112	-	90	112	Φ4-8	35	137
SV-016SL	226	70	74	56	112	-	90	112	Φ4-8	35	137
SV-037W	240	80	75	63	119	100	100	125	Φ4-8	35	175
SV-037S	237	80	75	63	119	-	100	125	Φ4-8	35	160

# HC Series

## 高压叶片泵

### High Pressure Vane Pump



- 高压力  
High pressure
- 性能稳定  
Stable performance
- 体积小  
Small volume
- 黄铜  
Brass material
- 不锈钢  
Stainless steel
- 低噪音  
Low noise
- 振动小  
Little vibration

#### 特点介绍 / Features

- ◆ 应用领域: 激光设备冷却、等离子切割机、X射线和医用激光冷却系统、实验室设备冷却循环、高压清洗设备、反渗透系统、咖啡机、现调机、园林雾化等。
- ◆ 循环介质: 不含颗粒、纤维的水、乙二醇、甲醇、酒精等。
- ◆ Application Area: Laser equipment cooling, plasma cutting machine, X-ray and medical laser cooling system, laboratory equipment cooling cycle, high pressure cleaning equipment, reverse osmosis system, coffee machine, fresh machine, garden atomization, etc.
- ◆ Circulation Medium: Free of particles, fibers's water, ethylene glycol, methanol, alcohol, etc.

#### 使用条件 / Working Condition

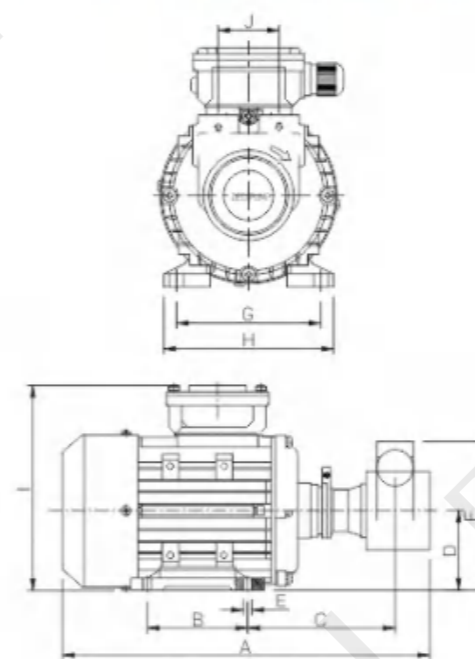
高温热水 Thermal Conductivity Water	乙二醇 Ethylene Glycol	工作环境温度 Working Temperature	最高海拔 Max Elevation	最大工作压力 Max Working Pressure
+5°C~+90°C	-20°C~+90°C	-5°C~+40°C	1000m	16bar

#### 规格性能参数 / Technical Parameter

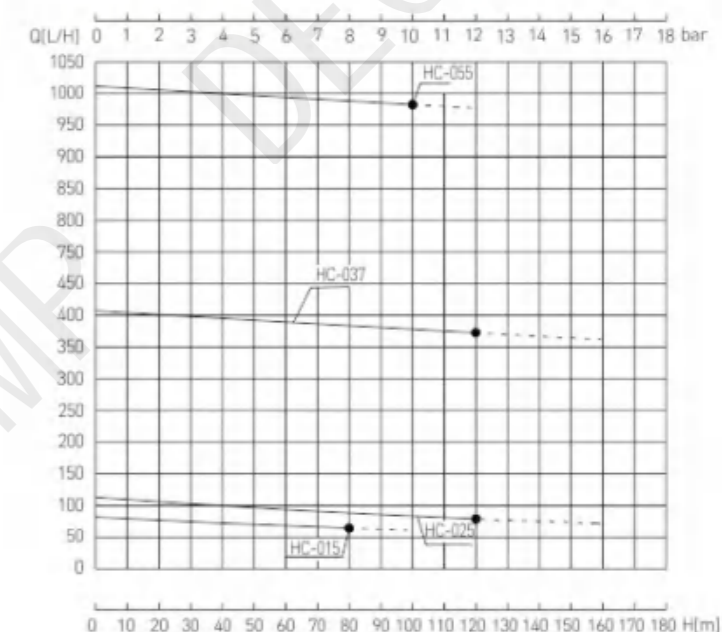
型号 Model	口径 / Diameter		电机 / Motor				性能参数 / Performance Parameter		泵浦自重 Pump Weight (Kg)	
	进口 Inlet	出口 Outlet	功率 Power (KW)	匹数 (Hp)	电压 Voltage (V)	频率 Frequency (Hz)	转速 Speed (r/min)	最高扬程 Max Head (m)		最大流量 Max Capacity (L/H)
HC-015	G3/8	G3/8	0.15	0.2	3Φ-380	50	1450	100	70	5
HC-025	G3/8	G3/8	0.25	0.33				160	100	8
HC-037	G3/8	G3/8	0.37	0.5	1Φ-220	50	1450	160	400	9.5
HC-055	G3/8	G3/8	0.55	0.7				120	1000	10.5

上述性能参数对应于水在20°C时以正常速度运输,性能及参数误差±10%。泵的性能随输送流体介质的比重及密度的不同而产生变化。  
The above characteristic testing is based on the water transferring with the normal speed under 20 degrees, character's error is about 10%.  
The pump characters change according to the difference of the liquid mediums' proportion and density.

#### 安装尺寸图 / Installation Drawing



#### 特性曲线图 / Characteristic Curve



#### 安装尺寸表 / Installation Size

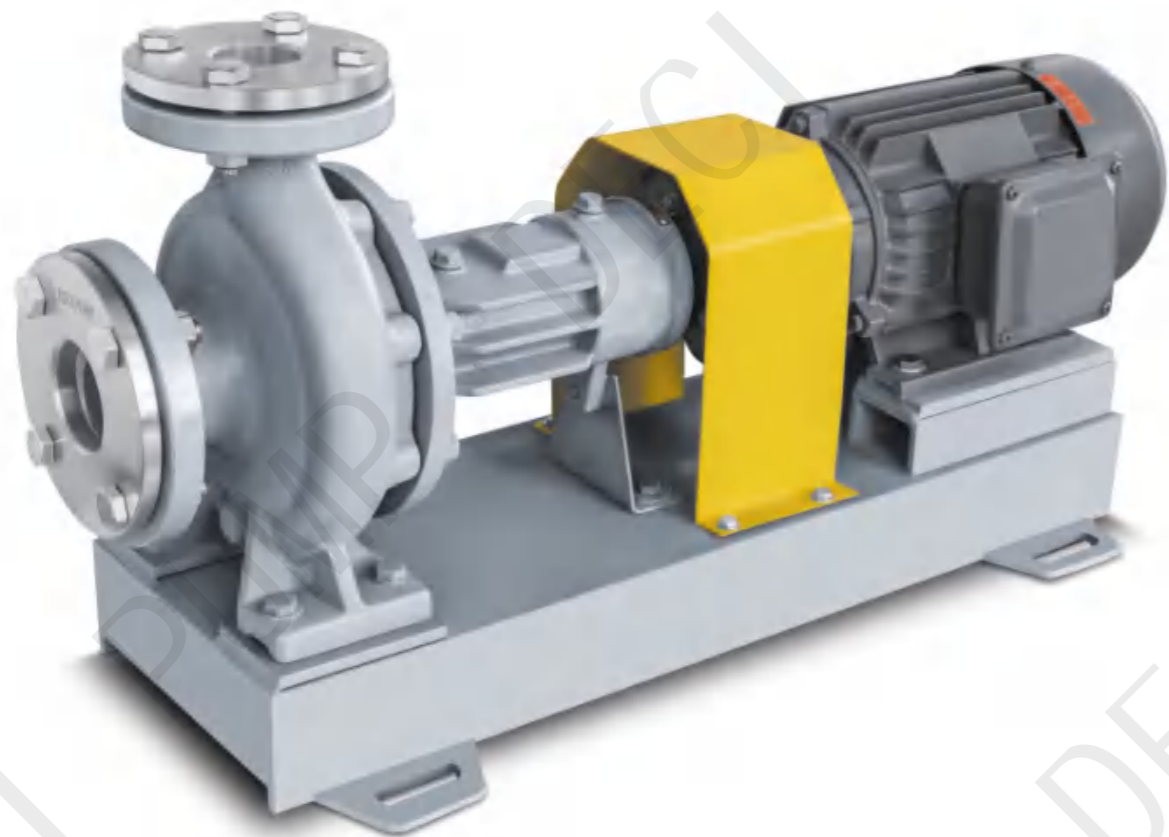
单位/Unit: mm

型号 / Model	A	B	C	D	E	F	G	H	I	J
HC-015	274	71	109	56	4-Φ7	116.5	90	110	136	38
HC-025	308	80	123	63	4-Φ8	123.5	100	120	169	38
HC-037	334	90	128	71	4-Φ8	131.5	112	132	185	38
HC-055	332	90	133	71	4-Φ8	133	112	132	185	48

# HRY Series

## 联轴式高温热油泵

### Coupling Type High Temperature Hot Oil Pump



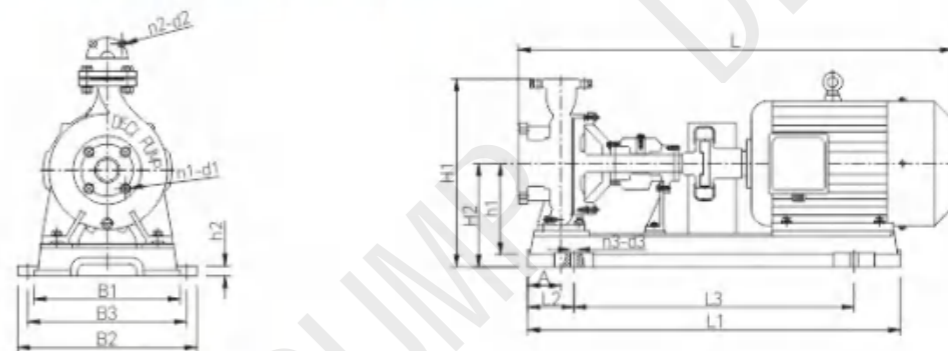
#### ■ 使用条件 / Working Condition

高温导热油 Thermal Conductivity Oil +5°C ~ +350°C	工作环境温度 Working Temperature -5°C ~ +40°C	最高海拔 Max Elevation 1000m	最大工作压力 Max Working Pressure 10bar
--	---	--------------------------------	---

#### ■ 规格性能参数 / Technical Parameter

型号 Model	流量 Flux (m³/h)	最高扬程 Max Head (m)	转速 Speed (r/min)	功率 Power (KW)		效率 % Efficiency	汽蚀余量 NPSH
				轴功率 Shaft power	配用功率 Motor power		
HRY 25-20-120	2	20	2840	0.36	0.55	30	1.2
HRY 25-20-125	3	20	2840	0.55	0.75	30	1.4
HRY 50-32-150A	5	25	2840	1	1.5	34	1.6
HRY 50-32-150	8	22	2840	1.1	1.5	43.5	1.8
HRY 50-32-160	10	25	2840	1.5	2.2	45.2	2
HRY 50-32-170	12.5	32	2900	2.4	3	45.7	2.4
HRY 65-50-170	29	32	2900	3.4	4	55.8	2.6
HRY 65-50-170	40	25	2900	4.5	5.5	60	2.7
HRY 65-50-180	20	38	2900	4	5.5	52	2.7
HRY 80-50-170	60	25	2900	6.7	7.5	61	2.9
HRY 80-50-180	40	40	2900	7	7.5	63	2.9
HRY 100-65-190	60	38	2900	9.1	11	68.2	3.1
HRY 80-50-200	50	50	2900	10.8	15	63	3.3
HRY 100-65-200	80	40	2900	12.4	15	70.7	3.9
HRY 100-65-220	60	50	2900	12.6	15	64.8	3
HRY 100-65-210	90	45	2900	15.7	18.5	70	3.6
HRY 100-65-230	100	55	2900	19.5	22	76.7	3.9
HRY 125-100-170	155	30	2900	17.3	22	75.1	5.5
HRY 100-65-250	100	70	2900	27.8	30	68.6	4.1
HRY 100-65-270	100	80	2900	32.4	37	67.2	3.6

#### ■ 安装尺寸图 / Installation Dimension Drawing



#### ■ 安装尺寸表 / Installation Size

单位/Unit: mm

型号 / Model	L	L1	L2	L3	B1	B2	B3	A	a	h1	h2	H1	H2	D1-D1	n1-d1	n2-d2	n3-d3
HRY 25-20-120	680	600	100	100	160	240	210	50	55	100	5	305	185	85/75	4/14	4/14	4/14
HRY 25-20-125	680	600	100	100	160	240	210	50	55	100	5	305	185	85/75	4/14	4/14	4/14
HRY 50-32-150	800	740	105	520	240	340	296	90	80	132	20	370	210	125/100	4/14	4/17.5	4/22
HRY 50-32-160	800	740	105	520	240	340	296	90	80	132	20	370	210	125/100	4/14	4/17.5	4/22
HRY 50-32-170	825	740	105	520	240	340	296	90	80	132	20	370	210	125/100	4/14	4/17.5	4/22
HRY 65-50-170	1000	850	100	650	280	385	340	80	100	160	20	445	245	145/125	8/17.5	4/17.5	4/22
HRY 65-50-180	1000	850	100	650	280	385	340	80	100	160	20	445	245	145/125	8/17.5	4/17.5	4/22
HRY 80-50-180	1000	850	100	650	280	385	340	80	100	160	20	445	245	160/125	8/17.5	4/17.5	4/22
HRY 80-50-200	1200	1020	160	732	400	510	450	110	120	180	25	525	300	160/125	8/17.5	4/17.5	4/22
HRY 100-65-190	1200	1020	160	732	400	510	450	110	120	180	25	525	300	160/125	8/17.5	4/17.5	4/22
HRY 100-65-200	1200	1020	160	732	400	510	450	110	120	180	25	525	300	180/145	8/17.5	4/17.5	4/22
HRY 100-65-220	1200	1020	160	732	400	510	450	110	120	180	25	525	300	180/145	8/17.5	4/17.5	4/22
HRY 100-65-230	1300	1160	150	935	440	580	505	115	125	200	35	570	320	180/145	8/17.5	4/17.5	4/20
HRY 125-100-170	1300	1160	150	935	440	580	505	115	125	200	35	570	320	180/145	8/17.5	4/17.5	4/20
HRY 100-65-250	1400	1160	150	935	440	580	505	115	125	200	35	570	320	180/145	8/17.5	4/17.5	4/20
HRY 100-65-270	1400	1160	150	935	440	580	505	115	125	200	35	570	320	180/145	8/17.5	4/17.5	4/20

- 性能稳定  
Stable performance
- 耐高温  
High temperature resistance
- 大流量  
Large flowing
- 铸铁  
Cast iron
- 低噪音  
Low noise
- 振动小  
Little vibration

#### ■ 特点介绍 / Features

- ◆ 应用领域: 导热油炉、热处理设备、模板控温、辊轮控温、反应釜夹套控温等。
- ◆ 循环介质: 不含颗粒、纤维的导热油、热处理油等液体。
- ◆ Application Area: Heat transfer oil furnace, heat treatment equipment, template temperature control, roller temperature control, reaction kettle jacket temperature control, etc.
- ◆ Circulation Medium: Liquids such as heat transfer oil and heat treatment oil that do not contain particles and fibers.

## 售后服务

### After-Sales Service

- 用户在正确选型，并在规定使用时间内，出现质量问题，本公司负责三包处理。  
If the user chooses the model correctly and has quality problems within the specified use time, the company is responsible for the three guarantees.

### 三包原则

#### Three Guarantees Principle

以修为主，能修则修，不修则换，不换则退。  
Thinking that repair is the main thing, repair what can be repaired, replace what cannot be repaired, and return if not replaced.

### 三包范围

#### Three Guarantees Range

由于运输过程中引起的质量故障（如噪声大、不转动等），在电源电压、频率正常、引出线径合适的情况，泵启动困难、保修期为自购买日期起一年内。

Due to the delivery, the pump is damaged (such as big noisy, not running), the voltage, frequency and leading wire way are right, but the pump is hard to drive, the guarantee period is one year.

### 下列情形不属于保修对象

#### The following situations are not covered by warranty

- ◆ 安装使用不当或自行拆装而损坏引起的故障。
  - ◆ 超过使用范围而引起的故障。
  - ◆ 接线不正确或电源异常引起的故障，或开关损坏缺相烧坏电机。
  - ◆ 泵体内进入硬质颗粒物而引起的叶轮、密封损伤。
  - ◆ 空载运行造成的密封损伤。
  - ◆ 液体带有腐蚀性时，引起泵体或叶轮、轴损坏。
- ◆ If problems are caused by inappropriate installments or operations.
  - ◆ If the problems are caused by exceeding using range.
  - ◆ If the problems are caused by the wrong wire connection or abnormal electric power; The switch is damaged and lack of phase, which make the pump's motor damaged.
  - ◆ The impeller and sealing are damaged by the hard substance being into the pump's body.
  - ◆ The sealing is damaged by the idle running.
  - ◆ The pump's body, impeller and shaft are damaged by the corrosive medium.

## 故障原因及解决办法

### Fault cause and solution

故障现象 Fault phenomenon	可能原因 Possible reason	解决措施 Solution
泵不吸水 Be not bibulous	<ul style="list-style-type: none"> <li>- 注入泵的水不够</li> <li>- 吸入管路系统漏气或底阀漏水</li> <li>- 管路塞气</li> <li>- There is no enough water enter into the pump</li> <li>- Input pipe air leakage or bottom valve water leakage</li> <li>- There is air in pipe</li> </ul>	<ul style="list-style-type: none"> <li>- 打开放气塞，补灌水，排除泵内空气，并关上放气塞</li> <li>- 检查各连接部位，重新密封，修复底阀</li> <li>- 正确安装</li> <li>- Open the air plug, fill water, excluding air in the pump, and then close the air lock</li> <li>- Checking the connection parts, sealing again and repairing the bottom valve</li> <li>- Correct installing</li> </ul>
压力达到规定压力 但水量不足 Pressure gauge reaches a predetermined pressure, but water is shortage	<ul style="list-style-type: none"> <li>- 出水管路阻力损失大</li> <li>- 输出高度超出泵的能力</li> <li>- Resistance of water outlet is loss much</li> <li>- The output height is more than pump capacity</li> </ul>	<ul style="list-style-type: none"> <li>- 缩短出水管路或加大管路直径</li> <li>- 重新选购合适的水泵</li> <li>- Shorted water outlet pipe or expending the diameter of the pipe</li> <li>- Choose the new suitable pump</li> </ul>
出水量减少 Less water	<ul style="list-style-type: none"> <li>- 空气侵入泵内</li> <li>- 叶轮口环处径向间隙太大，使泵内的水产生回流</li> <li>- 底阀或管路局部堵塞。</li> <li>- 电机端电压过低造成转速下降</li> <li>- The air enter into the pump</li> <li>- The radial clearance in impeller month is large, the water flow back the pump</li> <li>- Bottom valve and pipe is blocked</li> <li>- The rate speed lower cases by the low voltage</li> </ul>	<ul style="list-style-type: none"> <li>- 检查漏气部位，加以密封</li> <li>- 更换磨损叶轮</li> <li>- 停机检查</li> <li>- 稳定电网电压</li> <li>- Checking the leak place and seal it well</li> <li>- Changing impeller</li> <li>- Stop machine and check</li> <li>- Stable voltage power</li> </ul>
泵振动或有杂音 Vibration or noisy	<ul style="list-style-type: none"> <li>- 机组安装不牢固</li> <li>- 吸水管漏气或吸水管口淹没深度不够，使泵内吸入空气</li> <li>- 叶轮产生汽蚀</li> <li>- 偏离运行工况</li> <li>- Unite do not fasten well</li> <li>- Suction pipe leaking or soaked depth is not enough, which make the air enter the pump</li> <li>- Impeller produce NPSH</li> <li>- Deviating from the real working condition</li> </ul>	<ul style="list-style-type: none"> <li>- 应加固泵法兰处的支撑部位</li> <li>- 堵塞漏气处或加长吸入管淹没深度</li> <li>- 降低泵安装高度或加大吸入管径或增加进口压力，并更换损坏叶轮</li> <li>- 尽可能调至高效区(额定点)运行，避免泵在大流量点运行</li> <li>- Fasten the pump well</li> <li>- Plug the leak place or lengthen depth of the suction pipe</li> <li>- Installing height or enlarge the pipe's diameter or increase the input pressure and change the impeller</li> <li>- Adjusting the high efficiency (rated point) to run, avoiding the pump running under high flow rate condition</li> </ul>
电机发热 Motor heating	<ul style="list-style-type: none"> <li>- 环境温度过高，电动机散热不良</li> <li>- 电机负荷太重</li> <li>- 电压过高或过低或缺相</li> <li>- 电机内进水</li> <li>- Environment temperature is high, Motor heat dissipation is bad</li> <li>- Motor is overload</li> <li>- Voltage is much higher or lower or faulty phase</li> <li>- The water enter the motor</li> </ul>	<ul style="list-style-type: none"> <li>- 改善泵工作环境，检查风叶是否正常，通风道有无堵塞</li> <li>- 泵有卡住现象，停机检修；或轴承损坏，更换轴承；或泵偏大流量运行，调整泵在额定点及泵的高效区运行</li> <li>- 检查电器元件，稳定电源电压</li> <li>- 拆机烘干保养，防止水从轴孔缝隙处或接线盒处进入电机</li> <li>- Improve the working environment of the pump, checking the fan is well or not, Ventilation is clogging or not.</li> <li>- Pump is stocked, stop it and check; Bearing is damaged, change the new bearing pump works under mass flow condition, adjust the pump's rated Point and high efficiency area to run</li> <li>- Checking the Electrical components, make the Voltage is stable</li> <li>- Disassemble the pump, drying it, prevent the water enter the motor</li> </ul>
漏水 Water leakage	<ul style="list-style-type: none"> <li>- 密封件损坏</li> <li>- Sealing is damaged</li> </ul>	<ul style="list-style-type: none"> <li>- 更换密封件(轴封或O形圈)</li> <li>- Changing the sealing (shaft seal or O ring)</li> </ul>